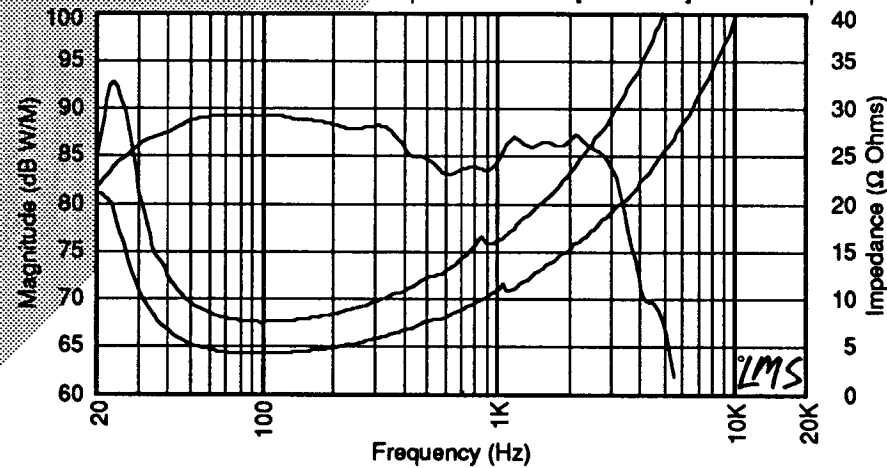
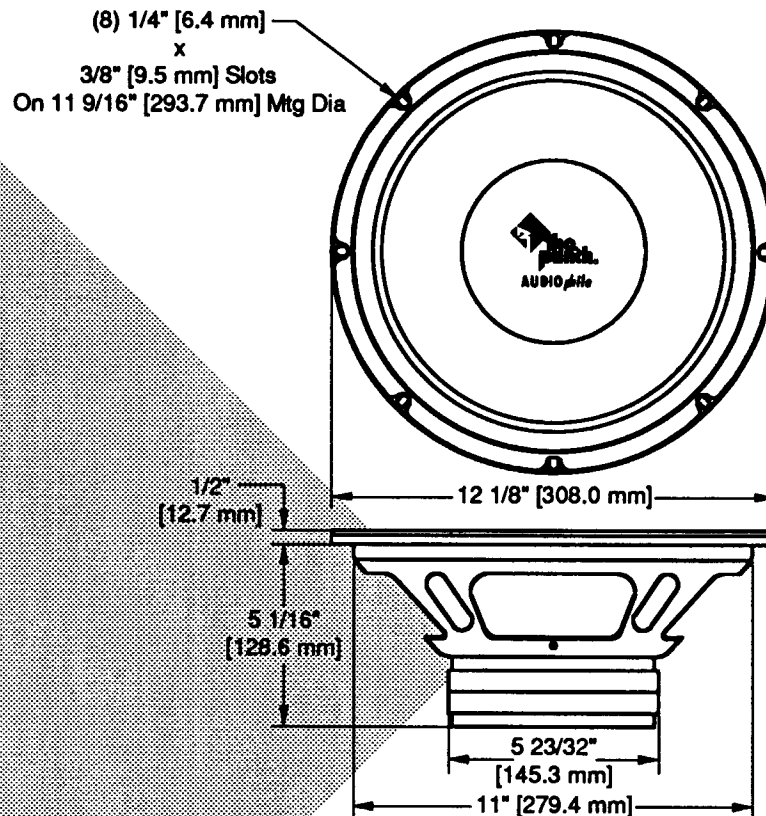


TECHNICAL DATA	RFA-124	RFA-128
Nominal Diameter	12.00 in [304.8 mm]	12.00 in [304.8 mm]
Magnet Weight	64.00 oz [1,814.4 g]	64.00 oz [1,814.4 g]
Frequency Range	20 - 1,000 Hz	20 - 1,000 Hz
Nominal Impedance	4Ω	8Ω
DC Resistance (RE)	3.5Ω	7.0Ω
Resonance Frequency (fs)	21 Hz	22 Hz
Mechanical Q Factor (QMS)	2.20	2.80
Electrical Q Factor (QES)	0.45	0.58
Total Q Factor (QTS)	0.38	0.48
Effective Cone Area (SD)	84.48 in ² [0.0545 m ²]	84.48 in ² [0.0545 m ²]
Equivalent Air Volume (VAs)	9.182 ft ³ [260.0 L]	9.182 ft ³ [260.0 L]
Compliance (CMS)	0.00620 m/N	0.00620 m/N
Moving Mass (MMS)	3.25 oz [92.0 g]	2.93 oz [83.0 g]
Voice Coil Diameter	2.50 in [63.5 mm]	2.50 in [63.5 mm]
Voice Coil Winding Height	1.16 in [29.5 mm]	1.16 in [29.5 mm]
Voice Coil Former Material	5 Mil Aluminum	5 Mil Aluminum
Voice Coil Inductance	1.00 mH	1.60 mH
Force Factor (BI)	9.6 Tm	11.5 Tm
Linear Excursion (Xmax)	0.37 in [9.3 mm]	0.37 in [9.3 mm]
Sensitivity (SPL)	89.4 dB W/m	89.0 dB W/m
Operating Power (PE)	250 W	250 W
Specifications May Vary Per Manufacturing Tolerances And Are Subject To Improvement Without Notice Frequency Response Curve Shown Represents Both 4Ω And 8Ω Units Upper Impedance Curve For 8Ω Unit; Lower Impedance Curve For 4Ω Unit		



PART NO.: RFA-124	PART NAME: 12" Audiophile Woofer	
RFA-128	TOLERANCE: N/A	SCALE: N.T.S.
RELEASE: #3 (Jan 28, 1994)	DRWN BY: <i>EBW</i>	APPR BY: <i>Church</i>

