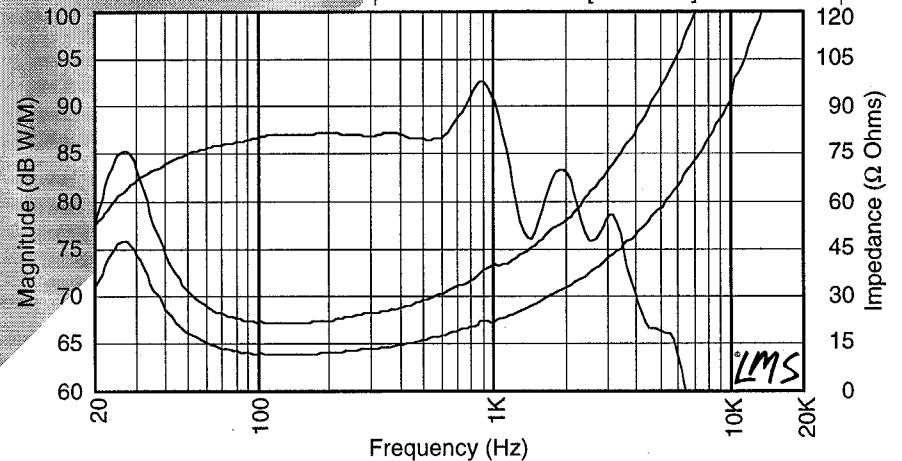
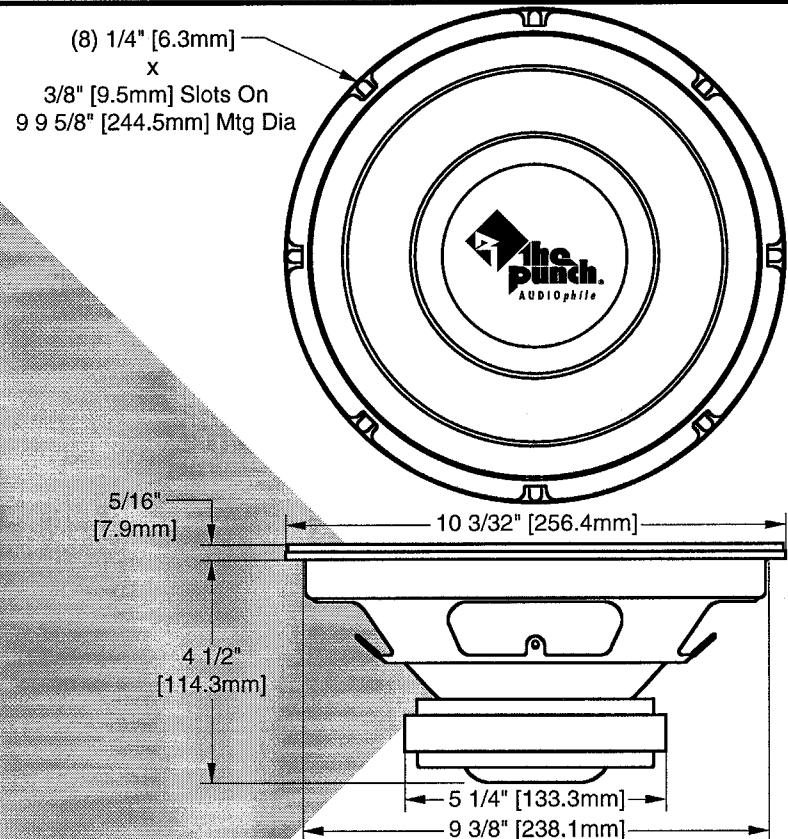


TECHNICAL DATA	RFA-410	RFA-810
Nominal Diameter	10.00 in [254.0 mm]	10.00 in [254.0 mm]
Magnet Weight	38.00 oz [1,077.3 g]	38.00 oz [1,077.3 g]
Frequency Range	23 - 1,000 Hz	25 - 1,000 Hz
Nominal Impedance	4Ω	8Ω
DC Resistance (<i>RE</i>)	3.5Ω	7.0Ω
Resonance Frequency (<i>fs</i>)	23 Hz	25 Hz
Mechanical Q Factor (<i>QMS</i>)	1.94	2.03
Electrical Q Factor (<i>QES</i>)	0.47	0.58
Total Q Factor (<i>QTS</i>)	0.38	0.45
Effective Cone Area (<i>Sd</i>)	54.87 in ² [0.0354 m ²]	54.87 in ² [0.0354 m ²]
Equivalent Air Volume (<i>VAS</i>)	4.485 ft ³ [127.0 L]	4.485 ft ³ [127.0 L]
Compliance (<i>CMS</i>)	0.00072 m/N	0.00072 m/N
Moving Mass (<i>MMS</i>)	2.40 oz [68.0 g]	2.22 oz [63.0 g]
Voice Coil Diameter	2.00 in [50.8 mm]	2.00 in [50.8 mm]
Voice Coil Winding Height	1.00 in [25.4 mm]	1.00 in [25.4 mm]
Voice Coil Former Material	5 Mil Aluminum	5 Mil Aluminum
Voice Coil Inductance	0.86 mH	1.30 mH
Force Factor (<i>Bl</i>)	8.6 Tm	10.4 Tm
Linear Excursion (<i>Xmax</i>)	0.34 in [8.5 mm]	0.34 in [8.5 mm]
Sensitivity (<i>SPL</i>)	87.0 dB W/m	86.5 dB W/m
Operating Power (<i>PE</i>)	150 W	150 W
Specifications May Vary Per Manufacturing Tolerances And Are Subject To Improvement Without Notice Frequency Response Curve Shown Represents Both 4Ω And 8Ω Units Upper Impedance Curve For 8Ω Unit; Lower Impedance Curve For 4Ω Unit		



PART NO.: RFA-410	PART NAME: 10" Audiophile Woofer	
RFA-810	TOLERANCE: N/A	SCALE: 27%
RELEASE: #1 (Sep 16, 1994)	DRWN BY:	APPR BY:

