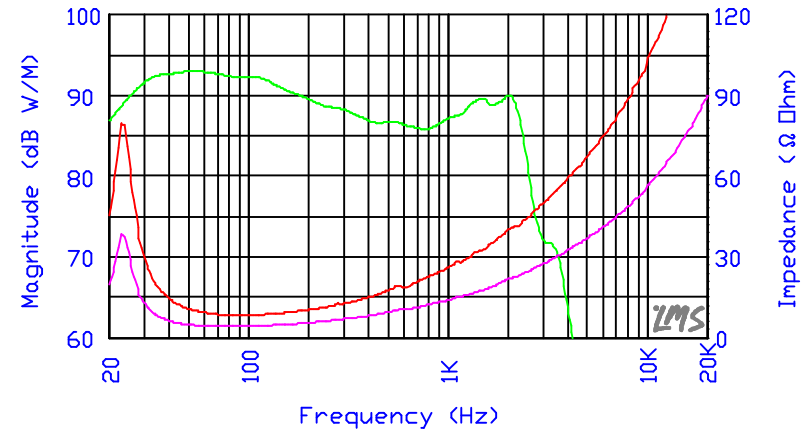
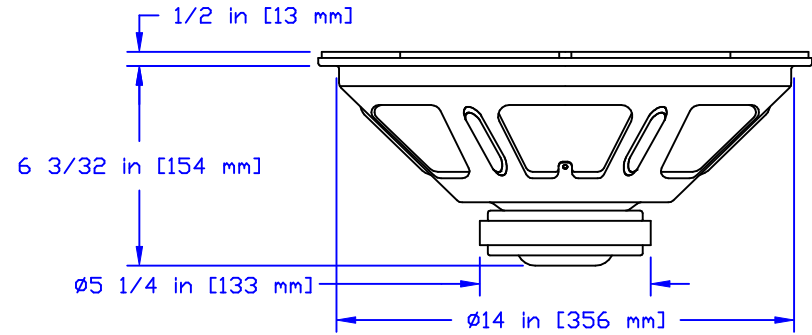
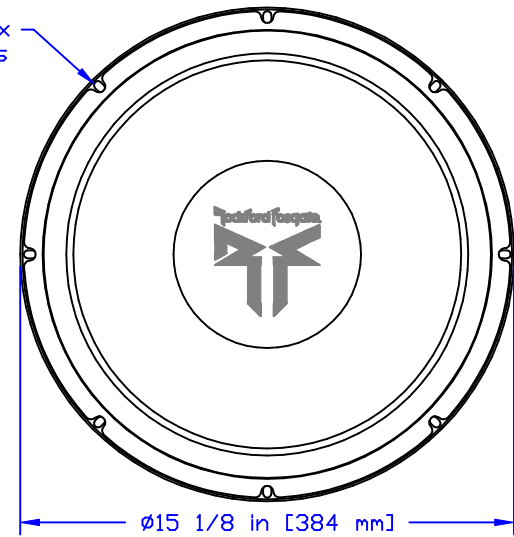


TECHNICAL DATA	RFS-1415	RFS-1815
Nominal Diameter	15 in [381 mm]	15 in [381 mm]
Magnet Weight	38oz [1079g]	38oz [1079g]
Frequency Range	26-2,500Hz	27-2,500Hz
Nominal Impedance	4 $\Omega$	8 $\Omega$
DC Resistance (Re)	3.4 $\Omega$	6.7 $\Omega$
Resonance Frequency (fs)	26Hz	27Hz
Mechanical Q Factor (Qms)	4.89	3.90
Electrical Q Factor (Qes)	0.49	0.59
Total Q Factor (Qts)	0.44	0.51
Effective Cone Area (Sd)	134.54 in <sup>2</sup> [0.087m <sup>2</sup> ]	134.54 in <sup>2</sup> [0.087m <sup>2</sup> ]
Equivalent Air Volume (Vas)	11.336 ft <sup>3</sup> [321L]	11.336 ft <sup>3</sup> [321L]
Compliance (Cms)	3.00E-04	3.00E-04
Moving Mass (Mms)	4.30oz [122g]	4.09oz [116g]
Voice Coil Diameter	2 in [50.8 mm]	2 in [50.8 mm]
Voice Coil Winding Height	0.78 in [19.8 mm]	0.78 in [19.8 mm]
Voice Coil Former Material	5 Mil Aluminum	5 Mil Aluminum
Voice Coil Inductance	1.71mH	2.87mH
Force Factor (Bl)	11.8Tm	15.0Tm
Linear Excursion (Xmax)	.23 in [5.9 mm]	.23 in [5.9 mm]
Sensitivity (Spl)	93dB	93dB
Operating Power (Pe)	150W RMS	150W RMS
Specifications May Vary Per Manufacturing Tolerances And Are Subject To Improvement Without Notice. Frequency Response Curve Shown Represents Both 4 $\Omega$ And 8 $\Omega$ Units. Upper (Red) Impedance Curve For 8 $\Omega$ Unit; Lower (Magenta) Impedance Curve For 4 $\Omega$ Unit.		

(8) 3/8 in [9.5 mm] x  
1/4 in [6.4 mm] Slots  
On 14 9/16 in  
[370 mm] Mtg Dia



PART NO:	RFS-1415	PART NAME:	15 IN RFS WOOFER
	RFS-1815	TOLERANCE:	N/A
RELEASE:	#1 (OCT 9, 1996)	SCALE:	NTS
DRWN BY:		APPR BY:	



Rockford Acoustic Designs  
609 Myrtle North West  
Grand Rapids, MI 49504  
Phone: 616-456-9528  
Fax: 616-456-5648