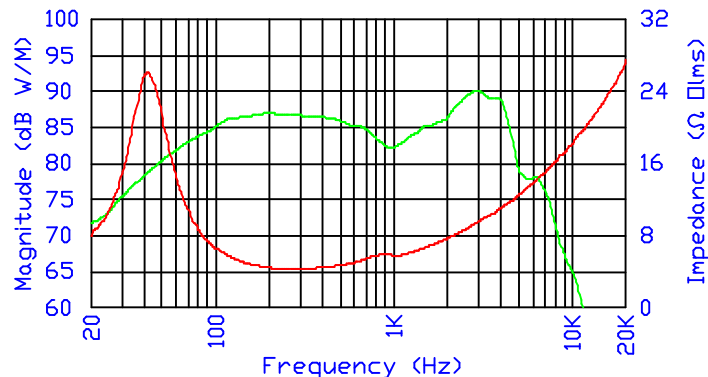
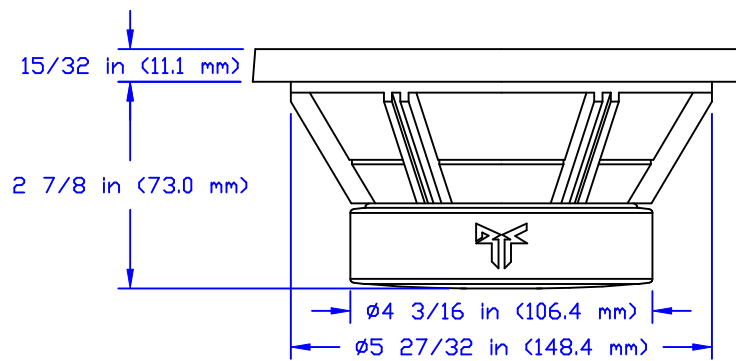
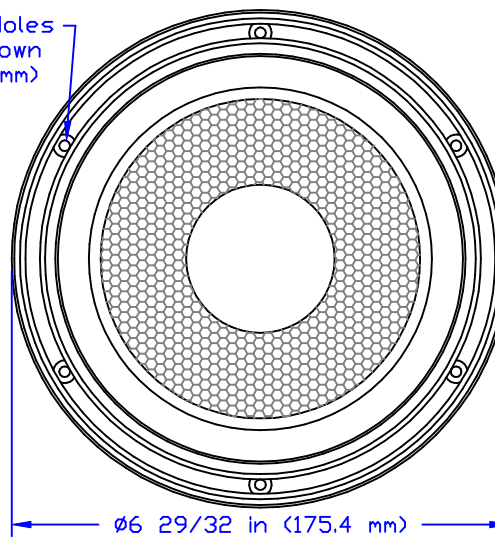


TECHNICAL DATA	FNQ1406
Nominal Diameter	6 1/2 in (165.1 mm)
Magnet Weight	19.4oz (550g)
Frequency Range	45-5kHz
Nominal Impedance	4Ω
DC Resistance (Re)	3.8Ω
Resonance Frequency (fs)	45Hz
Mechanical Q Factor (Qms)	2.58
Electrical Q Factor (Qes)	0.34
Total Q Factor (Qts)	0.30
Effective Cone Area (Sd)	20.15 in <sup>2</sup> (0.013m <sup>2</sup> )
Equivalent Air Volume (Vas)	.756 ft <sup>3</sup> (21.4L)
Compliance (Cms)	8.45E-04
Moving Mass (Mms)	.59oz (16.6g)
Voice Coil Diameter	1 1/4 in (31.8 mm)
Voice Coil Winding Height	.599 in (15.215 mm)
Voice Coil Former Material	3 MIL Aluminum
Voice Coil Inductance	0.70mH
Force Factor (Bl)	7.1Tm
Linear Excursion (Xmax)	0.17 in (4.4 mm)
Sensitivity (Spl)	89dB
Operating Power (Pe)	100W
Specifications May Vary Per Manufacturing Tolerances And Are Subject To Improvement Without Notice.	

(6) Ø5/32 in (4.0 mm) Holes  
Equally Spaced As Shown  
On Ø6 9/32 in (159.5 mm)  
Mtg Dia



PRODUCT(S):	FNQ1406	RELEASE:	#1
DATE: APR 30, 1998	TOLERANCE: N/A	SCALE: 3/8 x FULL	DRWN BY:
PART NAME: 6 1/2 IN FANATIC Q FULL RANGE SPEAKER		APPR BY:	



AutoCad R.14

Rockford Acoustic Designs  
609 Myrtle North West  
Grand Rapids, MI 49504  
Phone: 616-456-9528  
Fax: 616-456-5648