

 Rockford Fosgate

T B P C R F



CLASS bd AMPLIFIERS

X5 X6 X7

INTRODUCTION

Dear Customer,

Congratulations on your purchase of the world's finest brand of car audio amplifiers. At Rockford Fosgate we are fanatics about musical reproduction at its best, and we are pleased you chose our product. Through years of engineering expertise, hand craftsmanship and critical testing procedures, we have created a wide range of products that reproduce music with all the clarity and richness you deserve.

For maximum performance we recommend you have your new Rockford Fosgate product installed by an Authorized Rockford Fosgate Dealer, as we provide specialized training through Rockford Technical Training Institute (RTTI). Please read your warranty and retain your receipt and original carton for possible future use.

Great product and competent installations are only a piece of the puzzle when it comes to your system. Make sure that your installer is using 100% authentic installation accessories from Connecting Punch in your installation. Connecting Punch has everything from RCA cables and speaker wire to Power line and battery connectors. Insist on it! After all, your new system deserves nothing but the best.

To add the finishing touch to your new Rockford Fosgate image order your Rockford accessories, which include everything from T-shirts and jackets to hats and sunglasses.

To get a free brochure on Rockford Fosgate products and Rockford accessories, in the U.S. call 480-967-3565 or FAX 480-967-8132.

For all other countries, call +001-480-967-3565 or FAX +001-480-967-8132.

PRACTICE SAFE SOUND™

Continuous exposure to sound pressure levels over 100dB may cause permanent hearing loss. High powered auto sound systems may produce sound pressure levels well over 130dB. Use common sense and practice safe sound.

If, after reading your manual, you still have questions regarding this product, we recommend that you see your Rockford Fosgate dealer. If you need further assistance, you can call us direct at 1-800-669-9899. Be sure to have your serial number, model number and date of purchase available when you call.

The serial number can be found on the outside of the box. Please record it in the space provided below as your permanent record. This will serve as verification of your factory warranty and may become useful in recovering your source unit if it is ever stolen.

Serial Number: _____

Model Number: _____

TABLE OF CONTENTS

Introduction	2	Operation.	8
Safety Instructions	3	Adjusting Gain	8
Design Features	4	Adjusting Crossover Frequency	8
Installation	4-7	Color Options.	8
Installation Considerations	4	Applications	9-10
Mounting Locations	5	Troubleshooting	11
Battery and Charging	6	Accessories.	11
Wiring the System	6	Specifications	12
Remote Punch Bass	7	Limited Warranty Information.	13
		International Instructions	14

NOTE: Review each section for more detailed information.

GETTING STARTED

Welcome to Rockford Fosgate! This manual is designed to provide information for the owner, salesperson and installer. For those of you who want quick information on how to install this product, please turn to the **Installation Section** of this manual. Other information can be located by using the Table of Contents. We, at Rockford Fosgate, have worked very hard to make sure all the information in this manual is current. But, as we are constantly finding new ways to improve our product, this information is subject to change without notice.


SAFETY INSTRUCTIONS

WARNING


This symbol with “**WARNING**” is intended to alert the user to the presence of important instructions. Failure to heed the instructions will result in severe injury or death.

CAUTION

This symbol with “**CAUTION**” is intended to alert the user to the presence of important instructions. Failure to heed the instructions can result in injury or unit damage.

 **CAUTION:** To prevent injury and damage to the unit, please read and follow the instructions in this manual. We want you to have enjoyment from this system, not a headache.

 **CAUTION** If you feel unsure about installing this system yourself, have it installed by a qualified Rockford Fosgate technician.

 **CAUTION** Before installation, disconnect the battery negative (-) terminal to prevent damage to the unit, fire and/or possible injury.

CONTENTS OF CARTON

Either a model X5, X6 or X7 Mono Amplifier
Installation & Operation Manual
Mounting Hardware Kit
Remote Punch Bass Kit with Cord

1 3/32" Allen Wrench
1 1/8" Allen Wrench
1 3/16" Allen Wrench
RF Sticker

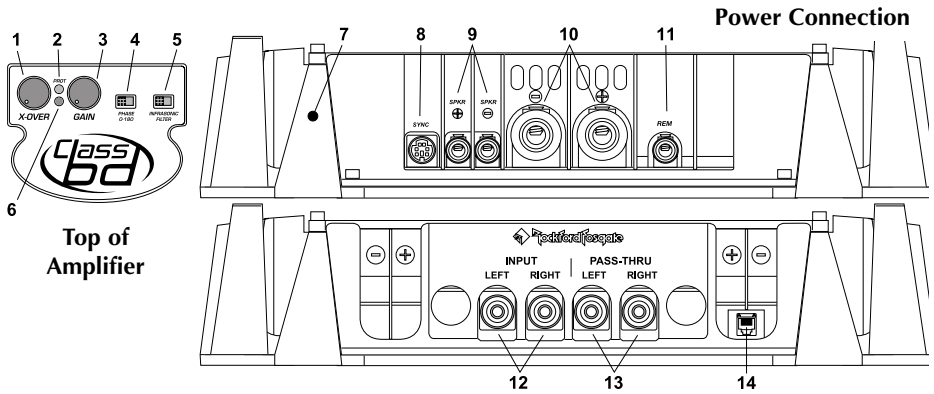
The hardware kit included with each amplifier contains the mounting hardware necessary to secure the amplifier to the vehicle and to attach the cover to the heatsink.

NOTE: Refer to the specifications section for recommended fuse sizes.

Visit our web site for the latest information on all Rockford products.

www.rockfordfosgate.com

The password to get into the Type RF portion is TYPERFUSA




1. **Variable Crossover** – The amplifiers have a built-in 24dB/octave Butterworth filter with a crossover point variable from 40Hz to 250Hz. The crossover is set to Low-Pass (LP).
2. **Protect LED** – The (red) LED illuminates when the unit is latched into protection. It requires momentary AP removal to enable output PWM.
3. **Gain Control** – The input gain control is preset to match the output of most source units. It can be adjusted to match output levels from a variety of source units.
4. **Phase** – Used when connecting two bd amplifiers together to phase one amplifier 180° from the other.
5. **Infrasonic Filter** – A high pass filter designed to prevent frequencies below the audio range from being applied to the subwoofer from the amplifier. Consequently, improving subwoofer performance and power handling.
6. **LED Power Indicator** – The LED illuminates when the unit is turned on.
7. **Cast Aluminum Heatsink** – The cast aluminum heatsink of the amplifier dissipates heat generated by the amplifier's circuitry. The inherent advantage of casting provides a 30% improvement of cooling over conventional extrusion heatsink designs.
8. **Sync** – These amplifiers have a 6 pin mini DIN connector. When operating two amplifiers in the bridge mode, the SYNC cable must be used. This will allow the two independent frequency carrier generators in each unit to be synchronized.
9. **Speaker Terminals** – The heavy duty, gold-plated terminal block connectors (+ and -) will accept wire sizes from 8 AWG to 18 AWG. These gold-plated connectors are immune to corrosion that can cause signal deterioration.
10. **Power Terminals** – The power and ground connectors on the amplifier are gold-plated and will accommodate up to 4 AWG wire maximizing the input current capability of the amplifier.
11. **REM Terminal** – This terminal is used to remotely turn-on and turn-off the amplifier when +12V DC is applied.
12. **RCA Input Jacks** – The industry standard RCA jacks provide an easy connection for signal level input. They are gold-plated to resist the signal degradation caused by corrosion.
13. **RCA Pass-Thru Jacks** – The Pass-Thru provides a convenient source for daisy-chaining an additional amplifier without running an extra set of RCA cables from the front of the vehicle to the rear amplifier location.
13. **Punch Bass** – The Punch Bass control helps correct for acoustical deficiencies in the listening environment by helping produce full range sound without adding excessive boost.. The Punch Bass control is a narrow band adjustment at 45Hz variable from 0dB to + 18dB. Connection is made with a cable using RJ-45 and can be installed under the dash for remote control access.


INSTALLATION CONSIDERATIONS

The following is a list of tools needed for installation:

Volt/Ohm Meter	Hand held drill w/assorted bits
Wire strippers	1/8" diameter heatshrink tubing
Wire crimpers	Assorted connectors
Wire cutters	Adequate Length—Red Power Wire
#2 Phillips screwdriver	Adequate Length—Auto Power Wire
Battery post wrench	Adequate Length—Black Grounding Wire

This section focuses on some of the vehicle considerations for installing your new Amplifier. Pre-planning your system layout and best wiring routes will save installation time. When deciding on the layout of your new system, be sure that each component will be easily accessible for making adjustments.

 **CAUTION:** If you feel unsure about installing this system yourself, have it installed by a qualified technician.

 **CAUTION:** Before installation, disconnect the battery negative (-) terminal to prevent damage to the unit, fire and/or possible injury.

Before beginning any installation, follow these simple rules:

1. Be sure to carefully read and understand the instructions before attempting to install the Unit.
2. For safety, disconnect the negative lead from the battery prior to beginning the installation.
3. For easier assembly, we suggest you run all wires prior to mounting your Source Unit in place.
4. Route all of the RCA cables close together and away from any high current wires.
5. Use high quality connectors for a reliable installation and to minimize signal or power loss.
6. Think before you drill! Be careful not to cut or drill into gas tanks, fuel lines, brake or hydraulic lines, vacuum lines or electrical wiring when working on any vehicle.
7. Never run wires underneath the vehicle. Running the wires inside the vehicle provides the best protection.
8. Avoid running wires over or through sharp edges. Use rubber or plastic grommets to protect any wires routed through metal, especially the firewall.
9. ALWAYS protect the battery and electrical system from damage with proper fusing. Install the appropriate fuse holder and fuse on the +12V power wire within 18" (45.7 cm) of the battery terminal.
10. When grounding to the chassis of the vehicle, scrape all paint from the metal to ensure a good, clean ground connection. Grounding connections should be as short as possible and always be connected to metal that is welded to the main body, or chassis, of the vehicle.

MOUNTING LOCATIONS

The mounting position of your amplifier will have a great effect on the sound performance produced.

Engine Compartment

Never mount this unit in the engine compartment. Mounting the unit in the engine compartment will void your warranty.

Trunk Mounting

Mounting the amplifier vertically will provide the best cooling of the amplifier.

Mounting the amplifier on the floor of the trunk will work but provides less cooling capability than vertical mounting.

Mounting the amplifier upside down to the rear deck of the trunk will not provide proper cooling and will severely affect the performance of the amplifier and is strongly not recommended.

INSTALLATION

Passenger Compartment Mounting

Mounting the amplifier in the passenger compartment will work as long as you provide a sufficient amount of air for the amplifier to cool itself. If you are going to mount the amplifier under the seat of the vehicle, you must have at least 1" (2.54cm) of air gap around the amplifier's heatsink.


Mounting the amplifier with less than 1" (2.54cm) of air gap around the amplifier's heatsink in the passenger compartment will not provide proper cooling and will severely affect the performance of the amplifier and is strongly not recommended.


BATTERY AND CHARGING

Amplifiers will put an increased load on the vehicle's battery and charging system. We recommend checking your alternator and battery condition to ensure that the electrical system has enough capacity to handle the increased load of your stereo system. Stock electrical systems which are in good condition should be able to handle the extra load of any Rockford Fosgate amplifier without problems, although battery and alternator life can be reduced slightly. To maximize the performance of your amplifier, we suggest the use of a heavy duty battery and an energy storage capacitor.

WIRING THE SYSTEM

 **CAUTION:** If you do not feel comfortable with wiring your new unit, please see your local Authorized Rockford Fosgate Dealer for installation.

 **CAUTION:** Before installation, disconnect the battery negative (-) terminal to prevent damage to the unit, fire and/or possible injury.

 **CAUTION:** Avoid running power wires near the low level input cables, antenna, power leads, sensitive equipment or harnesses. The power wires carry substantial current and could induce noise into the audio system.

1. Plan the wire routing. Keep RCA cables close together but isolated from the amplifier's power cables and any high power auto accessories, especially electric motors. This is done to prevent coupling the noise from radiated electrical fields into the audio signal. When feeding the wires through the firewall or any metal barrier, protect them with plastic or rubber grommets to prevent short circuits. Leave the wires long at this point to adjust for a precise fit at a later time.
2. Prepare the RED wire (power cable) for attachment to the amplifier by stripping 1/2" of insulation from the end of the wire. Insert the bared wire into the B+ terminal and tighten the set screw to secure the cable in place.

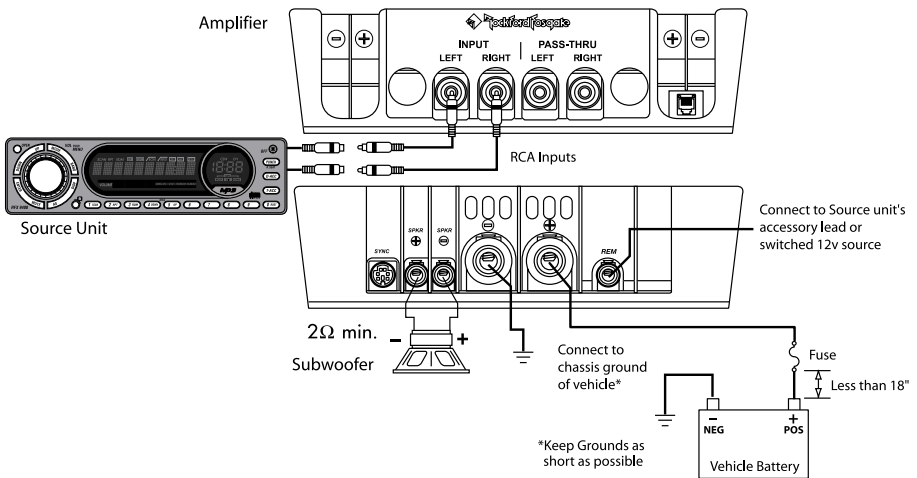
NOTE: The B+ cable **MUST** be fused 18" or less from the vehicle's battery. Install the fuseholder under the hood and prepare the cable ends as stated above. Connections should be water tight.

3. Trim the RED wire (power cable) within 18" of the battery and strip 1/2" of insulation from the end of the wire. Cut the wire loop that is attached to the fuseholder in half and splice the fuse into the power line using appropriate inline connectors. Use the section of cable that was trimmed earlier and connect it to the other end of the fuseholder.
4. Strip 1/2" from the battery end of the power cable and crimp a large ring terminal to the cable. Use the ring terminal to connect to the battery positive terminal. **DO NOT install the fuse at this time.**
5. Prepare the BLACK wire (Ground cable) for attachment to the amplifier by stripping 1/2" of insulation from the end of the wire. Insert the bared wire into the GND terminal and tighten the set screw to secure the cable in place. Prepare the chassis ground by scraping any paint from the metal surface and thoroughly clean the area of all dirt and grease. Strip the other end of the wire and attach a ring connector. Fasten the cable to the chassis using a non-anodized screw and a star washer.
6. Prepare the REM turn-on wire for connection to the amplifier by stripping 1/2" of insulation from the wire end. Insert the bared wire into the REM terminal and tighten the set screw to secure the cable into place. Connect the other end of the REM wire to a switched 12 volt positive source. The switched voltage is usually taken from the source unit's accessory lead. If the source unit does not have this output available, the recommended solution is to wire a mechanical switch in line with a 12 volt source to activate the amplifier.

- Securely mount the amplifier to the vehicle or amp rack. Be careful not to mount the amplifier on cardboard or plastic panels. Doing so may enable the screws to pull out from the panel due to road vibration or sudden vehicle stops.
- Connect the source signal to the amplifier by plugging the RCA cables/high level inputs into the input jacks at the amplifier.
- Connect the speakers. Strip the speaker wires 1/2" and insert into the speaker terminal and tighten the set screw to secure into place. Be sure to maintain proper speaker polarity. DO NOT chassis ground any of the speaker leads as unstable operation may result.
- Perform a final check of the completed system wiring to ensure that all connections are accurate. Check all power and ground connections for frayed wires and loose connections which could cause problems.

NOTE: Follow the diagrams for proper signal polarity.

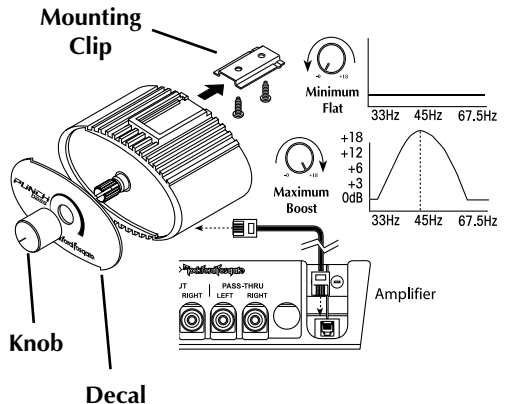
CAUTION: These amplifiers are not recommended for impedance loads below 2Ω .



REMOTE PUNCH BASS

Mounting and installation

- Find a location, either under the dash or near the center console, that gives easy access to the remote.
- Using the screws supplied, install the mounting clip with the tabs towards the back.
- Route the cable for the remote and connect to both the remote and amplified subwoofer.
- Slip the remote onto the mounting clip until it snaps into place.
- Install the decal and knob onto the remote.



OPERATION

ADJUSTING GAIN

To adjust the gain setting, turn the amplifier gains all the way down. Turn the source unit volume up until distortion is audible and then turn it down a bit until the distortion is inaudible. This will be about two thirds all the way up on most source units. Next, turn the amplifier gain setting until once again distortion is audible and then back it down until the distortion is inaudible. Rockford Fosgate source units do not distort, so the volume can be used at maximum setting.

NOTE: For a more in depth setting procedure, contact Rockford Technical Support.

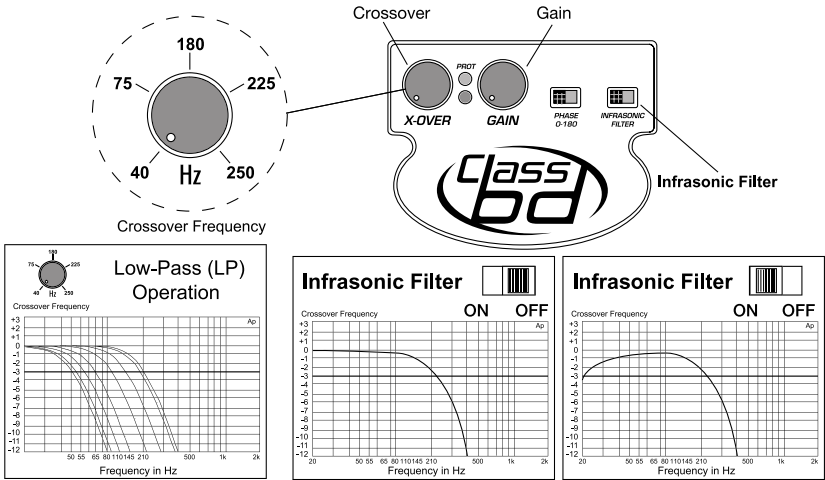
ADJUSTING CROSSOVER FREQUENCY

The crossover frequency can be adjusted between 40-250Hz. The crossover is set to LP (Low Pass) operation only.

Turn the crossover adjustment knob all the way down. With the system playing, turn the crossover adjustment knob up slowly until the desired crossover point is achieved.

INFRASONIC FILTER

Placing the switch to "ON" engages a infrasonic filter limiting the amount of low frequency information going to the woofer. Set this to your personal preference while listening to the system one way, then the other.

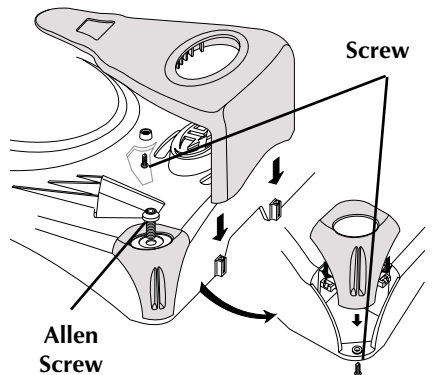


COLOR OPTIONS

Personalize your Type RF amplifier by changing the top and corner plastics to different colors. Available through our web site or local retailer.

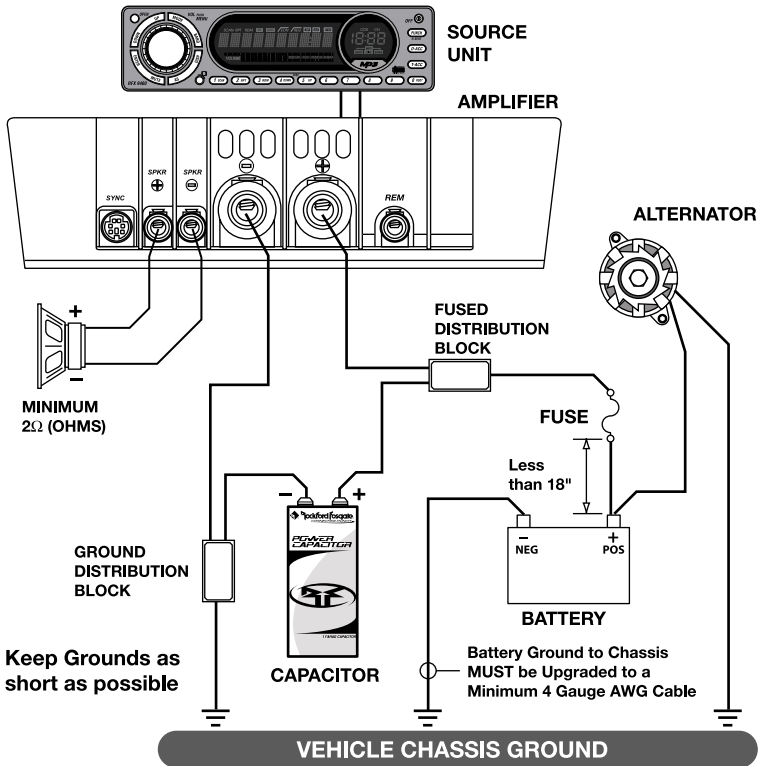
The corners can be changed by removing the screw at the bottom, pull the old corner up and out, install the new corner, and reinstall the screw.

The top plastic requires you to remove the casing from the amplifier. Do this by removing the four (4) 3/16" allen screws from each corner. Remove the screw holding the top plastic in place, pull the old top up and out, install the new top, ensure the top fits into the notches at the back, and reinstall the screw. Reinstall the casing and the four (4) allen screws.



RECOMMENDED CONFIGURATION FOR ONE (1) AMPLIFIER

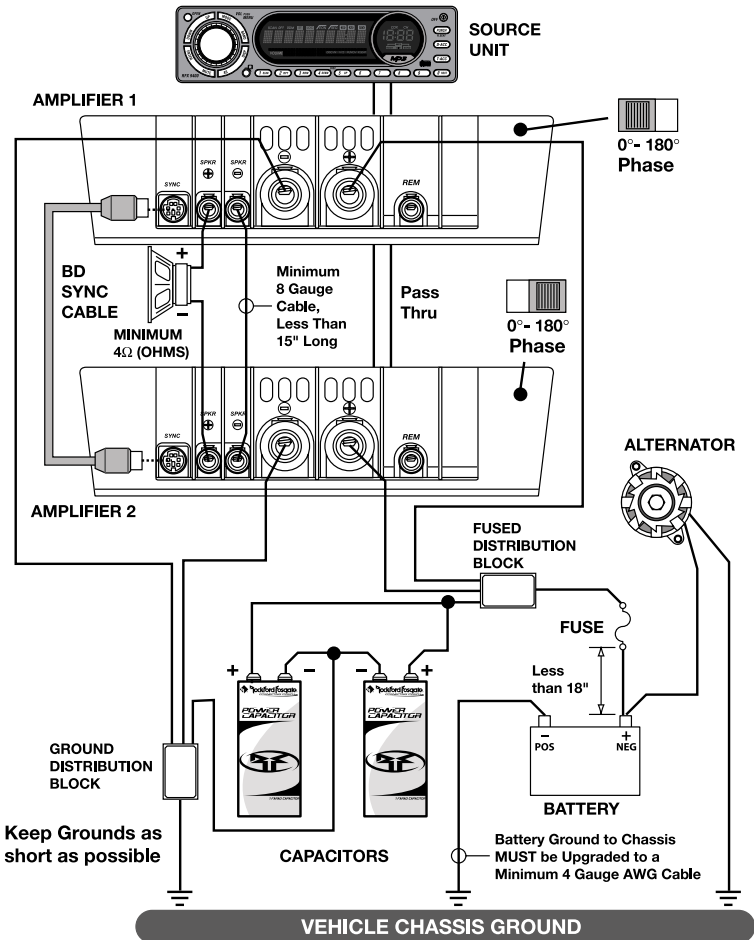
MODEL	X5	X6	X7
Operational Voltage Range (DC Volts)	10 – 15.5	10 – 15.5	10 – 15.5
Minimum Speaker Impedance	2Ω (Ohms)	2Ω (Ohms)	2Ω (Ohms)
Typical Current Draw (Music) (Amps)	30A	50A	90A
Typical Current Draw (Sine Waves) (Amps)	50A	80A	140A
Recommended Alternator Size (Street Driven Car) (Amps)	50A	75A	100A
Recommended Alternator Size (Competition Car) (Amps)	100A	150A	200A
Recommended Power & Ground Wire Size (AWG – American Wire Gauge)	8 Gauge	4 Gauge	4 Gauge
Recommended Capacitor Size	.5 Farad	1 Farad	1.5 Farad



APPLICATIONS

RECOMMENDED CONFIGURATION FOR TWO (2) AMPLIFIERS

MODEL	(2) X5	(2) X6	(2) X7
Operational Voltage Range (DC Volts)	10 – 15.5	10 – 15.5	10 – 15.5
Minimum Speaker Impedance	4Ω (Ohms)	4Ω (Ohms)	4Ω (Ohms)
Typical Current Draw (Music) (Amps)	60A	100A	180A
Typical Current Draw (Sine Waves) (Amps)	100A	160A	280A
Recommended Alternator Size (Street Driven Car) (Amps)	75A	100A	200A
Recommended Alternator Size (Competition Car) (Amps)	150A	150A	200A
Recommended Power & Ground Wire Size (AWG – American Wire Gauge)	4 Gauge	2 Gauge	1/0 Gauge
Recommended Capacitor Size	1 Farad	2 Farad	4 Farad



NOTE: If you are having problems after installation follow the Troubleshooting procedures below.

Procedure 1: Check Amplifier for proper connections.

Verify that POWER light is on. If POWER light is on skip to Step 2, if not continue.

1. Check in-line fuse on battery positive cable. Replace if necessary.
2. Verify that Ground connection is connected to clean metal of the vehicle's chassis. Repair/replace if necessary.
3. Verify there is 10.5 - 15.5 Volts of current present at the positive battery and remote turn-on cable. Verify quality connections for both cables at amplifier, stereo, and battery/fuseholder. Repair/replace if necessary.

Procedure 2: Check Amplifier for audio output.

1. Verify good RCA/high-level input connections at stereo and amplifier. Check entire length of cables for kinks, splices, etc. Test RCA/high-level inputs for AC current with stereo on. Repair/replace if necessary.
2. Disconnect RCA/high-level input from amplifier. Connect RCA/high-level input from test stereo directly to amplifier input.

Procedure 3: Check Amplifier if you experience Turn-on Pop.

1. Disconnect input signal to amplifier and turn amplifier on and off.
2. If the noise is eliminated, connect the REM lead of amplifier to source unit with a delay turn-on module.

OR

1. Use a different 12 Volt source for REM lead of amplifier (i.e. battery direct).
2. If the noise is eliminated, use a relay to isolate the amplifier from noisy turn-on output.

Procedure 4: Check Amplifier if you experience excess Engine Noise.

1. Route all signal carrying wires (RCA, Speaker cables) away from power and ground wires.

OR

2. Bypass any and all electrical components between the stereo and the amplifier(s). Connect stereo directly to input of amplifier. If noise goes away the unit being bypassed is the cause of the noise.

OR

3. Remove existing ground wires for all electrical components. Reground wires to different locations. Verify that grounding location is clean, shiny metal free of paint, rust etc.

OR

4. Add secondary ground cable from negative battery terminal to the chassis metal or engine block of vehicle.

OR

5. Have alternator and battery load tested by your mechanic. Verify good working order of vehicle electrical system including distributor, spark plugs, spark plug wires, voltage regulator etc.

ACCESSORIES

Connecting PUNCH Capacitors

Maintain the power you need to your Power Amplifier.

Color Options

Personalize your Type RF amplifier by changing the top and corner plastics to different colors. Available through our web site or local retailer.

See our website for other accessories to help you get the most out of your system.

www.rockfordfosgate.com – password TYPERFUSA to access the Type RF page.

SPECIFICATIONS

MODEL- CLASS bd	X5	X6	X7
Continuous Power Rating (RMS) - Measured at 12.6 Battery Volts			
4Ω Load Mono	275 Watts x 1	425 Watts x 1	650 Watts x 1
2Ω Load Mono	550 Watts x 1	850 Watts x 1	1300 Watts x 1
Dimensions:			
Height	3.175" (8.07cm)	3.175" (8.07cm)	3.175" (8.07cm)
Width	11.6" (29.46cm)	11.6" (29.46cm)	11.6" (29.46cm)
Length	15.09" (38.33cm)	17.59" (44.68cm)	20.09" (51.03cm)
Battery Fuse Rating (Amp) (External to Amplifier)	50A Not Supplied	100A Not Supplied	150A Not Supplied
Fuse Type	AGU	AGU	AGU
Signal-to-Noise Ratio	>90dB A-weighted		
Crossover Slope	24dB/octave Butterworth		
Crossover Frequency	variable LP (Low Pass) from 40Hz to 250Hz		
Frequency Response	20Hz to 220Hz ±0.5dB		
Bandwidth	20Hz to 220Hz ±3dB		
Damping Factor @ 4Ω (at output connector)	>100		
Acceptable Signal Voltage Range	Variable from 150mV to 5V (RCA Input)		
Protection	High current latch protection. Circuit component tolerances are used for protection.		
Equalization (45Hz Punch Bass)	Variable from 0dB to +18dB @ 45Hz		
Input Impedance	15k ohms		

Specifications subject to change without notice

Rockford Corporation offers a limited warranty on Rockford Fosgate products on the following terms:

Length of Warranty

PUNCH Amplifiers – 2 years

All Other Amplifier Models – 3 years

Source Units – 1 year

Speakers – 1 year

90 days on speaker, amplifier and source unit B-stock (receipt required)

What is Covered

This warranty applies only to Rockford Fosgate products sold to consumers by Authorized Rockford Fosgate Dealers in the United States of America or its possessions. Product purchased by consumers from an Authorized Rockford Fosgate Dealer in another country are covered only by that country's Distributor and not by Rockford Corporation.

Who is Covered

This warranty covers only the original purchaser of Rockford product purchased from an Authorized Rockford Fosgate Dealer in the United States. In order to receive service, the purchaser must provide Rockford with a copy of the receipt stating the customer name, dealer name, product purchased and date of purchase.

Products found to be defective during the warranty period will be repaired or replaced (with a product deemed to be equivalent) at Rockford's discretion.

What is Not Covered

1. Damage caused by accident, abuse, improper operations, water, theft
2. Any cost or expense related to the removal or reinstallation of product
3. Service performed by anyone other than Rockford or an Authorized Rockford Fosgate Service Center
4. Any product which has had the serial number defaced, altered, or removed
5. Subsequent damage to other components
6. Any product purchased outside the U.S.
7. Any product not purchased from an Authorized Rockford Fosgate Dealer

Limit on Implied Warranties

Any implied warranties including warranties of fitness for use and merchantability are limited in duration to the period of the express warranty set forth above. Some states do not allow limitations on the length of an implied warranty, so this limitation may not apply. No person is authorized to assume for Rockford Fosgate any other liability in connection with the sale of the product.

How to Obtain Service

Please call 1-800-669-9899 for Rockford Customer Service. You must obtain an RA# (Return Authorization number) to return any product to Rockford Fosgate. You are responsible for shipment of product to Rockford.

EU Warranty

This product meets the current EU warranty requirements, see your Authorized dealer for details.

Ship to: Electronics

Rockford Corporation
Warranty Repair Department
2055 E. 5th Street
Tempe, AZ 85281
RA#: _____

Ship to: Speakers

Rockford Acoustic Design
Speaker Returns
2356 Turner Ave. NW
Grand Rapids, MI 49544
RA#: _____

INTRODUCTION

Cher client,

Français

Toutes nos félicitations pour avoir acheté la meilleure marque d'amplificateurs pour automobile. Chez Rockford Fosgate nous sommes des mordus de la reproduction musicale à son meilleur. C'est pourquoi nous sommes heureux que vous ayez choisi notre produit. Des années d'expertise en ingénierie, de savoir-faire et d'essais poussés nous ont permis de créer une vaste gamme de produits capables de reproduire toute la clarté et la richesse musicales que vous méritez.

Pour obtenir les meilleurs résultats, nous vous recommandons de faire installer votre nouvel appareil par un distributeur agréé Rockford Fosgate formé spécialement par notre Institut de formation technique Rockford (RTTI). Prenez soin de lire la garantie et conservez votre reçu ainsi que l'emballage d'origine pour usage ultérieur.

Pour monter un excellent système, il ne suffit pas de posséder un super produit et d'assurer une installation qualifiée compétente. Vous devez veiller à ce que votre installateur utilise des accessoires d'origine fournis par Connecting Punch. Connecting Punch a tout ce qu'il vous faut, des câbles RCA aux câbles de haut-parleurs, en passant par les câbles d'alimentation et les connecteurs de batterie. Insistez pour les avoir! Après tout, votre nouveau système ne mérite rien de moins.

Pour compléter votre nouvelle image Rockford Fosgate, commandez des accessoires Rockford tels que T-shirts, vestes, chapeaux et lunettes de soleil.

Pour obtenir une brochure gratuite sur les produits Rockford Fosgate et les accessoires Rockford, appelez aux États-Unis le 480-967-3565 ou faxez au 480-967-8132.

Pour tous les autres pays, appelez le +001-480-967-3565 ou faxez au +001-480-967-8132.

PRATIQUEZ UNE ÉCOUTE SANS RISQUES^{MD}

Une exposition continue à des niveaux de pression acoustique supérieurs à 100 dB peut causer une perte d'acuité auditive permanente. Les systèmes audio de forte puissance pour auto peuvent produire des niveaux de pression acoustique bien au-delà de 130 dB. Faites preuve de bon sens et pratiquez une écoute sans risques.

Si vous avez encore des questions à propos de ce produit, même après avoir lu ce manuel, contactez votre distributeur agréé Rockford Fosgate. Si vous avez besoin d'aide, appelez-nous au 1-800-669-9899. Veuillez avoir les numéros de modèle et de série, ainsi que la date d'achat de l'appareil à portée de main lorsque vous appelez.

Le numéro de série est indiqué sur l'extérieur de l'emballage. Veuillez l'inscrire ci-dessous dans l'espace réservé à cet effet. Il permettra de vérifier votre garantie et de retrouver votre appareil en cas de vol.

Numéro de série : _____

Numéro de modèle : _____

TABLE DES MATIÈRES

Introduction	2	Fonctionnement	8
Consignes de sécurité	3	Réglage du gain	8
Particularités techniques	4	Réglage de la fréquence du filtre	8
Installation	4-7	Choix de couleur	8
Considérations concernant l'installation	4	Applications	9-10
Emplacements de montage	5	Dépannage	9
Batterie et charge	6	Accessoires	9
Câblage du système	6	Caractéristiques	10
Basses Punch à télécommande	7	Garantie limitée	11

NOTE : consultez chaque section pour de plus amples informations.

AVANT DE COMMENCER

Bienvenue à Rockford Fosgate! Ce manuel vise à informer le propriétaire, le vendeur et l'installateur de l'appareil. Si vous désirez apprendre rapidement comment installer ce produit, consultez la section Installation du manuel. Reportez-vous à la Table des matières pour d'autres informations. Nous nous efforçons de faire en sorte que toutes les informations contenues dans ce manuel soient à jour. Mais comme nous améliorons constamment nos produits, nous nous réservons le droit de modifier ces informations sans aucun préavis.


CONSIGNES DE SÉCURITÉ


AVERTISSEMENT


Le symbole accompagnant le mot « **AVERTISSEMENT** » signale à l'utilisateur la présence d'instructions importantes. Le non-respect de ces instructions causera des blessures graves ou la mort.

MISE EN GARDE

Le symbole accompagnant l'expression « **MISE EN GARDE** » signale à l'utilisateur la présence d'instructions importantes. Le non-respect de ces instructions peut causer des blessures ou endommager l'appareil.

 **MISE EN GARDE** : pour éviter des blessures et ne pas endommager l'appareil, veuillez lire et suivre les instructions du manuel. Notre but est que ce système vous donne du plaisir et non des maux de tête.

 **MISE EN GARDE** : si vous vous sentez incapable d'installer l'appareil vous-même, confiez la tâche à un technicien Rockford Fosgate qualifié.

 **MISE EN GARDE** : avant d'entamer l'installation, déconnectez la broche négative (-) de la batterie pour éviter tout risque de blessures, d'incendie ou de dommages à l'appareil.

CONTENU DE L'EMBALLAGE

Amplificateur mono modèle X5, X6 ou X7
Manuel d'installation et d'utilisation
Kit de matériel de montage
Kit de télécommande de basses Punch
avec cordon

Juego de bajo Punch remoto con cable
1 clé Allen 1/8 po
1 clé Allen 3/32 po
1 clé Allen 3/16 po
Autocollant RF

Le kit de matériel inclus avec chaque amplificateur contient le matériel de montage nécessaire pour fixer l'ampli au véhicule et le couvercle au dissipateur thermique.

REMARQUE : reportez-vous à la section des caractéristiques en ce qui concerne les fusibles recommandés.

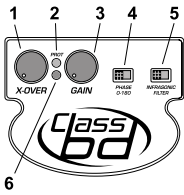
Visitez notre site Web pour obtenir les dernières informations sur tous les produits Rockford.

www.rockfordfosgate.com

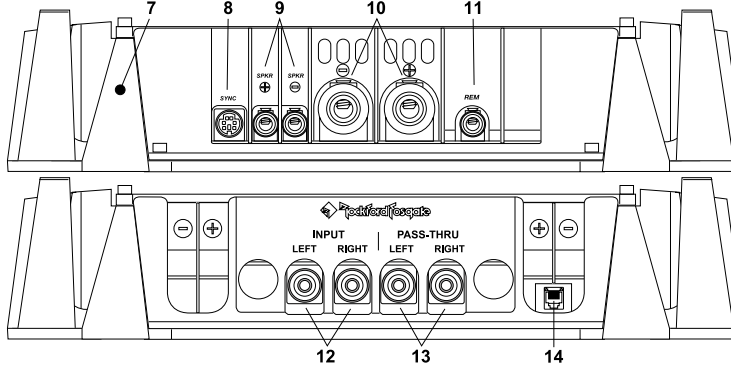
Le mot de passe pour pénétrer dans la section Type RF est TYPFERUSA

Français

Connexion d'alimentation



Dessus de l'ampli




1. **Filtre variable** - Les amplificateurs sont dotés d'un filtre de Butterworth intégré de 24 dB/octave dont le point de fréquence varie entre 40 Hz et 250 Hz. Le filtre est réglé sur passe-bas (LP).
2. **DEL Protect** – La DEL rouge s'allume lorsque l'appareil est protégé par verrouillage. Il faut neutraliser temporairement le filtre AP pour activer la sortie PWM.
3. **Commande de gain** – La commande de gain d'entrée est pré-réglée de manière à correspondre à la sortie de la plupart des unités source. Elle peut être réglée en fonction d'une variété d'unités source.
4. **Phase** – Utilisé lorsqu'on connecte deux amplificateurs bd ensemble pour déphaser un amplificateur de l'autre de 180°.
5. **Filtre infrasonique** – Filtre passe-haut conçu pour empêcher la transmission, de l'ampli au subwoofer, des fréquences inférieures à la plage sonore. Par conséquent, cela améliore le rendement et la puissance du subwoofer.
6. **Voyant d'alimentation à DEL** – La DEL s'allume lorsque l'appareil est allumé.
7. **Dissipateur thermique en aluminium coulé** – Le dissipateur thermique en aluminium coulé de l'amplificateur Power dissipe la chaleur générée par les circuits de l'amplificateur. L'avantage intrinsèque du moulage est qu'il améliore de 30 % la capacité de refroidissement par rapport aux modèles conventionnels de dissipateur thermique à extrusion.
8. **Sync** – Les amplificateurs sont dotés d'un connecteur mini-DIN à 6 broches. Le câble SYNC doit être utilisé lorsqu'on utilise deux amplis en mode ponté. Cela permet de synchroniser les deux générateurs de fréquence indépendants de chaque appareil.
9. **Bornes de haut-parleur** – Les connecteurs robustes plaqués or des bornes (+ et -) acceptent des câbles de calibre 8 à 18 AWG. Ces connecteurs plaqués or sont à l'épreuve de la corrosion qui peut nuire au signal.
10. **Borne REM** – Cette cosse à fourche permet d'allumer et d'éteindre à distance l'amplificateur lorsqu'un courant de +12 V c.c. est envoyé.
11. **Bornes d'alimentation** - Les connexions d'alimentation et de masse de l'ampli sont plaquées or et peuvent accueillir des câbles de calibre allant jusqu'à 4 AWG, ce qui permet de maximiser la capacité de courant d'entrée de l'ampli.
12. **Prises d'entrée RCA** – Les prises RCA de norme industrielle permettent une connexion facile pour les entrées de signaux. Elles sont plaquées or pour résister à la détérioration de signal due à l'effet de la corrosion.
13. **Extension ampli RCA** – L'extension ampli permet de connecter en guirlande un second ampli en évitant d'acheminer des câbles RCA supplémentaires de l'avant du véhicule vers l'emplacement de l'ampli arrière.


CONSIDÉRATIONS CONCERNANT L'INSTALLATION

Voici la liste d'outils requis pour l'installation :

Voltmètre-ohmmètre	Tube thermorétractible de 1/8 po de diamètre
Pince à dénuder	Connecteurs assortis
Pince à sertir	Longueur adéquate — Fil d'alimentation rouge
Coupe-fils	Longueur adéquate — Fil d'allumage à distance
Tournevis à embout cruciforme n° 2	Longueur adéquate — Fil de masse noir
Clé de borne de batterie	
Perceuse à main avec mèches assorties	

Cette section traite de points concernant le véhicule dont il faut tenir compte pour l'installation de votre nouvel ampli. Vous sauvez du temps en planifiant à l'avance la disposition du système et du câblage. Assurez-vous, entre autres, que chaque composant du système est facilement accessible pour les réglages.

 **MISE EN GARDE** : si vous vous sentez incapable d'installer l'appareil vous-même, confiez la tâche à un technicien qualifié.

 **MISE EN GARDE** : avant d'entamer l'installation, déconnectez la broche négative (-) de la batterie pour éviter tout risque de blessures, d'incendie ou de dommages à l'appareil.

Avant de commencer l'installation, suivez ces règles toutes simples :

1. Prenez soin de bien lire et comprendre les instructions avant d'installer l'appareil.
2. Par mesure de sécurité, veuillez débrancher le fil négatif de la batterie avant de commencer l'installation.
3. Pour faciliter le montage, nous vous suggérons de dérouler tous les fils avant d'installer l'appareil.
4. Acheminez tous les câbles RCA de façon groupée, à l'écart des fils à courant élevé.
5. Utilisez des connecteurs de haute qualité pour assurer une installation fiable et minimiser la perte de signal ou de puissance.
6. Réfléchissez avant de percer quoique ce soit ! Faites attention de ne pas couper ou percer le réservoir d'essence, les conduites de carburant, de frein, hydrauliques ou de dépression, ou le câblage électrique lorsque vous travaillez sur un véhicule.
7. Ne faites jamais passer les fils sous le véhicule. Il vaut mieux les installer à l'intérieur du véhicule pour assurer une meilleure protection.
8. Évitez de faire passer les fils par dessus ou à travers des bords tranchants. Tout fil acheminé à travers du métal, un pare-feu en particulier, doit être protégé avec des bagues en caoutchouc ou plastique.
9. Protégez TOUJOURS la batterie et le circuit électrique des dommages potentiels à l'aide de fusibles. Installez un porte-fusible et un fusible appropriés sur le câble d'alimentation de +12 V à moins de 45,7 cm (18") de la borne de batterie.
10. Préparez la masse du châssis en grattant toute trace de peinture de la surface métallique afin d'assurer une bonne mise à la masse. Les connexions de masse doivent être aussi courtes que possible et toujours connectées à du métal soudé à la carrosserie ou au châssis du véhicule.

EMPLACEMENTS DE MONTAGE

L'emplacement de l'ampli influe grandement sur la qualité du son obtenu.

Compartiment moteur

Ne montez jamais cet appareil dans le compartiment moteur. Cela entraînerait l'annulation de la garantie.

Montage dans le coffre

Un montage vertical de l'ampli assure un refroidissement optimal.

Le montage de l'ampli sur le plancher du coffre est acceptable mais offre un refroidissement moindre que le montage vertical.

Le montage de l'ampli à l'envers, sur la tablette arrière, n'assure pas un refroidissement satisfaisant, nuit à la performance de votre ampli et est, pas conséquent, fortement déconseillé.

Montage dans l'habitacle


Le montage de l'ampli dans l'habitacle passager est acceptable à condition que l'ampli reçoive suffisamment d'air pour refroidir. Si vous comptez installer l'ampli sous le siège du véhicule, prévoyez un écartement d'au moins 2,54 cm (1 po) autour du dissipateur thermique de l'ampli.


Un écartement inférieur à cela n'assure pas un refroidissement satisfaisant, nuit à la performance de l'ampli et est, pas conséquent, fortement déconseillé.


BATTERIE ET CHARGE

Les amplificateurs exercent une charge accrue sur la batterie et le système de charge du véhicule. Nous vous conseillons de vérifier l'état de l'alternateur et de la batterie pour vous assurer que le système électrique puisse supporter la charge accrue de votre système stéréo. Les systèmes électriques ordinaires en bon état sont normalement capables de fournir sans problème la charge supplémentaire requise par les amplis Rockford Fosgate. Toutefois, la durée de vie de la batterie et de l'alternateur peut s'en trouver affectée légèrement. Pour maximiser la performance de votre ampli, nous vous suggérons d'utiliser une batterie à usage intensif et un condensateur de stockage d'énergie.

CÂBLAGE DU SYSTÈME

 **MISE EN GARDE :** si vous ne vous sentez pas à l'aise pour effectuer vous-même le câblage de votre nouvel appareil, veuillez confier l'installation à votre distributeur agréé Rockford Fosgate.

 **MISE EN GARDE :** avant d'entamer l'installation, déconnectez la broche négative (-) de la batterie pour éviter tout risque de blessures, d'incendie ou de dommages à l'appareil.

 **MISE EN GARDE :** évitez de faire passer les fils d'alimentation près des câbles d'entrée bas niveau, de l'antenne, des câbles d'alimentation, des équipements ou faisceaux sensibles. Les fils d'alimentation transportent un courant élevé et peuvent produire du bruit dans le système audio.

1. Planifiez l'acheminement des fils. Gardez les câbles RCA ensemble mais en les isolant des câbles d'alimentation de l'ampli et des autres accessoires automobiles de forte puissance, particulièrement les moteurs électriques, pour éviter que le signal audio ne subisse d'interférence de bruit provenant de champs de rayonnement électriques. Si vous faites passer les fils par un pare-feu ou autre barrière métallique, protégez-les à l'aide de bagues en caoutchouc ou en plastique pour éviter les courts-circuits. Conservez toute la longueur des fils pour l'instant. Vous l'ajusterez plus tard.
2. Préparez le fil ROUGE (câble d'alimentation) qui devra être relié à l'ampli en dénudant 1/2 po de son extrémité. Insérez la partie dénudée dans la borne B+, puis fixez le fil en vissant la vis sans tête.

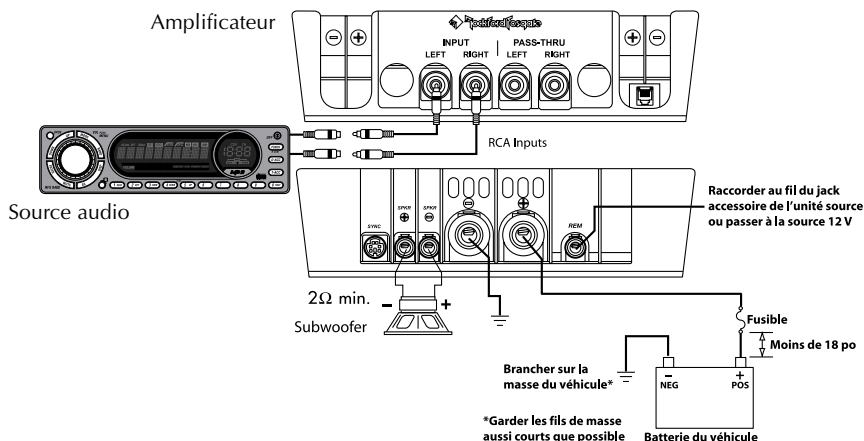
REMARQUE : le câble B+ DOIT comporter un fusible à 18 pouces ou moins de la batterie du véhicule. Installez le porte-fusible sous le capot et préparez les extrémités de câble tel qu'indiqué ci-dessus. Les connexions doivent être étanches.

3. Coupez le fil ROUGE (câble d'alimentation) à moins de 18 pouces de la batterie et dénudez 1/2 po de son extrémité. Coupez en deux la boucle reliée au porte-fusible et épissez le fusible sur le fil d'alimentation à l'aide de connecteurs en ligne appropriés. Utilisez la section de fil coupée plus tôt et connectez-la à l'autre extrémité du porte-fusible.
4. Dénudez 1/2 po de l'extrémité de batterie du câble d'alimentation et sertissez une grosse cosse à anneau sur le câble. Connectez la cosse à la borne positive de la batterie. N'installez pas le fusible pour l'instant.
5. Préparez le fil NOIR (câble de mise à la masse) qui devra être relié à l'ampli en dénudant 1/2 po de son extrémité. Insérez la partie dénudée dans la borne GND, puis fixez le fil en vissant la vis sans tête. Préparez la masse du châssis en grattant toute trace de peinture de la surface métallique et en nettoyant soigneusement pour éliminer tout dépôt de saleté et de graisse. Dénudez l'autre extrémité du fil et fixez un connecteur en anneau. Fixez le câble au châssis à l'aide d'une vis non anodisée et une rondelle en étoile.

6. Préparez le fil d'activation REM qui devra être relié à l'ampli en dénudant 1/2 po de son extrémité. Insérez la partie dénudée dans la borne REM, puis fixez le fil en vissant la vis sans tête. Connectez l'autre extrémité du fil REM à une source positive commutée de 12 volts. La tension commutée provient généralement de l'antenne ou du câble d'accessoires de la source audio. Si la source audio ne comporte pas de telles sorties, nous recommandons de raccorder un interrupteur mécanique en ligne avec une source de 12 volts pour activer l'ampli.
7. Montez solidement l'ampli sur le véhicule ou le rack d'ampli. Prenez soin de ne pas le fixer sur des panneaux en carton ou en plastique. Les vis pourraient en effet se décoller des panneaux sous l'effet des vibrations de la route ou des arrêts soudains du véhicule.
8. Connectez le signal à l'ampli en branchant les câbles RCA/entrées haut niveau dans les prises d'entrée de l'ampli.
9. Connectez les haut-parleurs : dénudez les fils des haut-parleurs de 1/2 po et insérez la partie dénudée dans la borne du haut-parleur, puis serrez la vis sans tête pour fixer le tout. Veillez à respecter la polarité des haut-parleurs. NE mettez PAS les fils de haut-parleur à la masse sur le châssis car cela pourrait causer un fonctionnement instable.
10. Effectuez une vérification finale du câblage pour vous assurer que toutes les connexions sont bien mises. Vérifiez toutes les connexions d'alimentation et de mise à la masse en vue de fils effilochés et de connexions desserrées pouvant causer des problèmes.

REMARQUE : vérifiez les polarités de signal à l'aide des schémas.

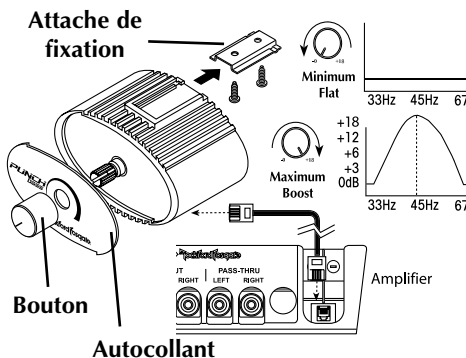
⚠ MISE EN GARDE : ces amplificateurs ne sont pas recommandés pour des charges d'impédance inférieures à 2 Ω.



BASSES PUNCH À TÉLÉCOMMANDE

Montage et installation

1. Trouvez un bon emplacement, sous le tableau de bord ou près de la console centrale, offrant un accès facile à l'appareil de télécommande.
2. Servez-vous des vis fournies pour installer l'attache de fixation, les languettes étant dirigées vers l'arrière.
3. Acheminez le câble de la télécommande et branchez-le à la télécommande et au subwoofer amplifié.
4. Glissez la télécommande sur l'attache de fixation jusqu'à ce qu'elle se mette en place d'un déclic.
5. Placez l'autocollant et le bouton sur la télécommande.



RÉGLAGE DU GAIN

Pour régler le gain, tournez le bouton de gain de l'ampli vers son niveau le plus bas. Augmentez le volume de la source audio jusqu'à produire une distorsion audible, puis baissez-le jusqu'à ce que la distorsion devienne inaudible. Cela correspond généralement aux deux tiers du volume sur la plupart des sources audio. Augmentez ensuite le gain de l'ampli jusqu'à produire de nouveau une distorsion audible, puis baissez-le jusqu'à ce que la distorsion devienne inaudible. Les sources audio Rockford Fosgate ne produisent pas de distorsion, vous pouvez donc mettre le volume au maximum.

REMARQUE : pour un réglage plus approfondi, communiquez avec le support technique de Rockford.

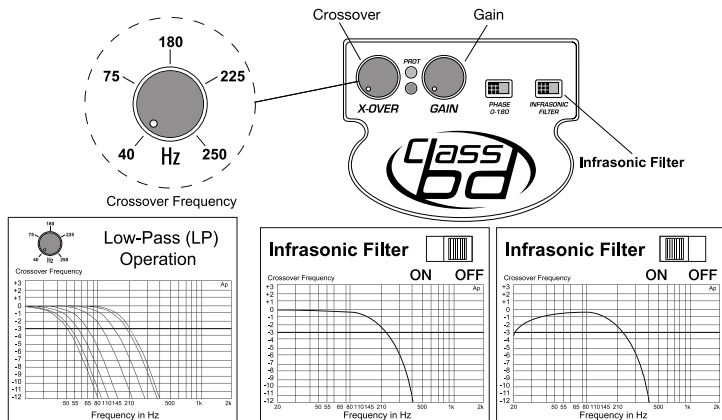
RÉGLAGE DE LA FRÉQUENCE DU FILTRE

La fréquence du filtre peut être ajustée de 40 à 250 Hz. Le filtre est réglé sur un fonctionnement en mode LP (passe-bas) uniquement.

Baissez complètement le niveau du filtre. Le système audio étant en fonctionnement, augmentez le niveau du filtre graduellement jusqu'à atteindre le point de fréquence voulu.

FILTRE INFRASONIQUE

Lorsque l'interrupteur est mis sur « ON », le filtre infrasonique est activé et limite les basses fréquences transmises au haut-parleur de graves. Réglez-le selon votre goût en écoutant le système d'une façon puis de l'autre.

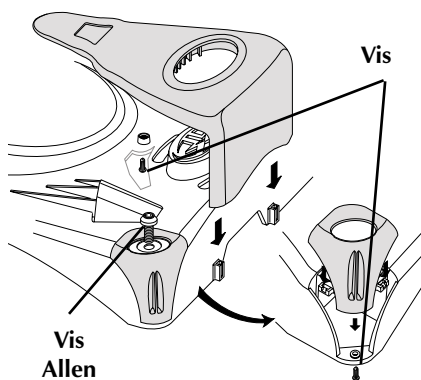


CHOIX DE COULEUR

Personnalisez votre ampli Type RF en remplaçant les plastiques couvrant le dessus et les coins par des modèles de couleurs différentes. Ceux-ci sont disponibles sur notre site Web ou auprès de votre détaillant.

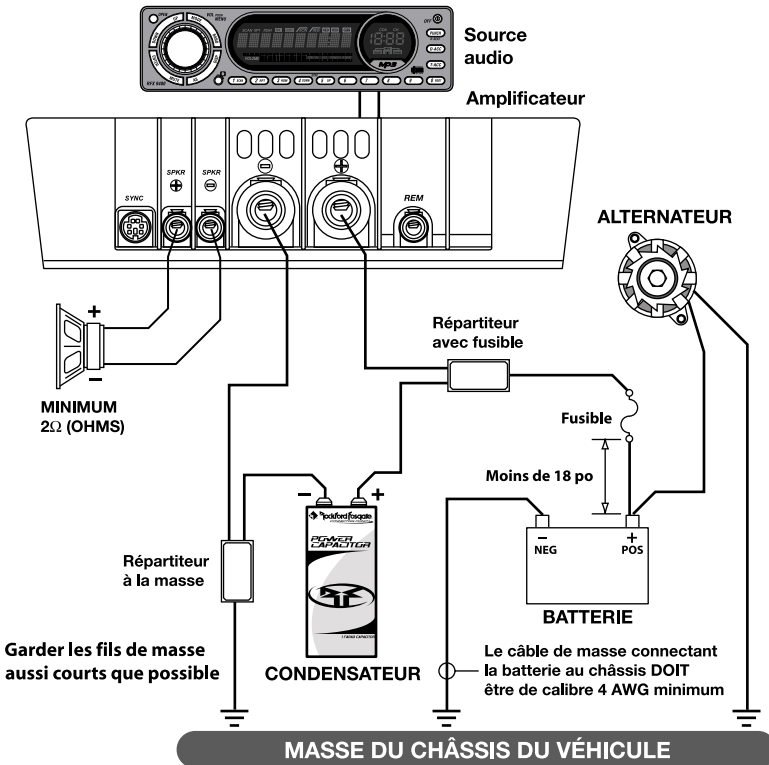
Pour modifier les coins, retirez la vis du bas, tirez l'ancien coin vers le haut puis vers vous, installez le nouveau coin, puis reposez la vis.

Le remplacement du plastique du dessus exige le retrait du boîtier de l'ampli. Pour ce faire, retirez les quatre (4) vis Allen 3/16 po de chaque coin. Retirez la vis retenant le plastique du dessus, tirez celui-ci par le haut puis vers vous, installez le nouveau en le glissant dans les fentes à l'arrière, puis reposez la vis. Remettez le boîtier en place et insérez les quatre (4) vis Allen.



CONFIGURATION RECOMMANDÉE POUR UN (1) AMPLI

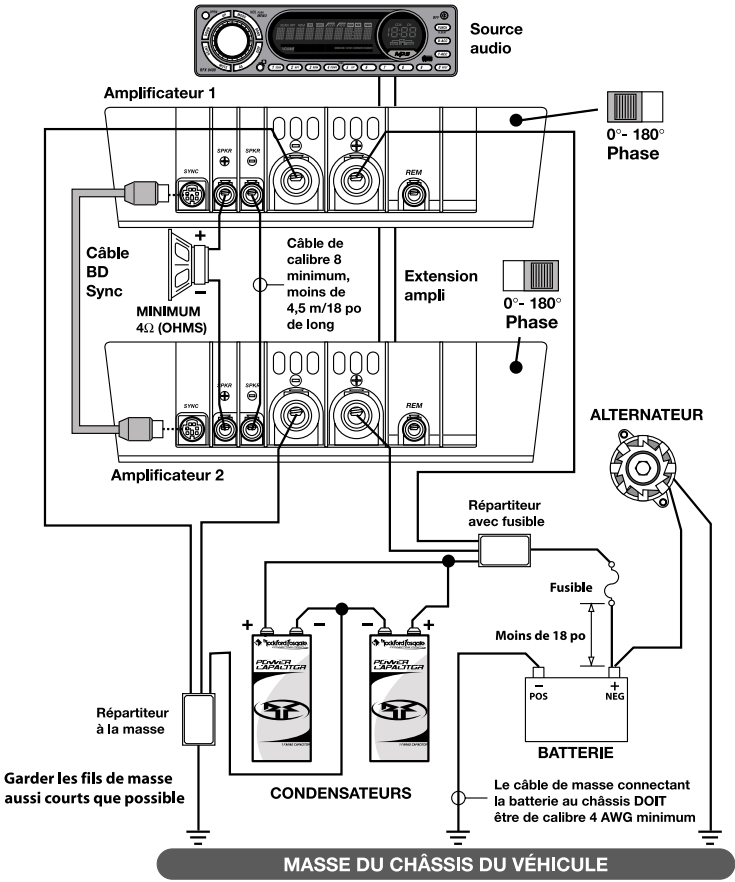
MODÈLE	X5	X6	X7
Plage de tension de fonctionnement (V c.c.)	10 – 15,5	10 – 15,5	10 – 15,5
Impédance de haut-parleur minimum	2 Ω (ohms)	2 Ω (ohms)	2 Ω (ohms)
Appel de courant typique (musique) (ampères)	30 A	50 A	90 A
Appel de courant typique (signal sinusoïdal) (amp.)	50 A	80 A	140 A
Puissance d'alternateur recommandée (Voiture normale) (ampères)	50 A	75 A	100 A
Puissance d'alternateur recommandée (Voiture de course) (ampères)	100 A	150 A	200 A
Calibre recommandé pour les câbles d'alimentation et de masse (AWG – American Wire Gauge)	Calibre 8	Calibre 4	Calibre 4
Capacité de condensateur recommandée	0,5 F	1 F	1,5 F



CONFIGURATION RECOMMANDÉE POUR DEUX (2) AMPLIS

Français

MODÈLE	(2) X5	(2) X6	(2) X7
Plage de tension de fonctionnement (V c.c.)	10 – 15,5	10 – 15,5	10 – 15,5
Impédance de haut-parleur minimum	4 Ω (ohms)	4 Ω (ohms)	4 Ω (ohms)
Appel de courant typique (musique) (ampères)	60 A	100 A	180 A
Appel de courant typique (signal sinusoïdal) (amp.)	100 A	160 A	280 A
Puissance d'alternateur recommandée (Voiture normale) (ampères)	75 A	100 A	200 A
Puissance d'alternateur recommandée (Voiture de course) (ampères)	150 A	150 A	200 A
Calibre recommandé pour les câbles d'alimentation et de masse (AWG – American Wire Gauge)	Calibre 4	Calibre 2	Calibre 1/0
Capacité de condensateur recommandée	1 F	2 F	4 F



REMARQUE : si vous éprouvez des difficultés après l'installation, appliquez les procédures de dépannage ci-dessous.

Procédure 1 : vérifiez que les connexions de l'ampli sont bien mises.

Vérifiez que le voyant POWER est allumé. Si c'est le cas, passez à l'étape 2, sinon poursuivez.

1. Vérifiez le fusible en ligne du câble positif de batterie. Remplacez-le si nécessaire.
2. Vérifiez que la connexion de mise à la masse est connectée à une surface métallique propre du châssis du véhicule. Procédez à une réparation ou un remplacement si nécessaire.
3. Vérifiez la présence d'un courant de 10,5 à 15,5 volts au niveau de la borne positive de la batterie et du câble d'allumage à distance. Vérifiez la qualité des connexions des deux câbles au niveau de l'ampli, de la stéréo, de la batterie et du porte-fusible. Procédez à une réparation ou un remplacement si nécessaire.

Procédure 2 : vérifiez la sortie audio de l'ampli.

1. Vérifiez que les connexions d'entrée RCA/haut niveau sont bonnes au niveau de la stéréo et de l'ampli. Vérifiez s'il y a des problèmes de torsion ou d'épissure tout le long des câbles, etc. Testez la présence de courant c.a. au niveau des entrées RCA/haut niveau lorsque la stéréo est allumée. Procédez à une réparation ou un remplacement si nécessaire.
2. Débranchez l'entrée RCA/haut niveau de l'ampli. Branchez l'entrée RCA/haut niveau de la stéréo test directement à l'entrée de l'ampli.

Procédure 3 : vérifiez l'ampli si un crépitement se produit lorsque vous l'allumez.

1. Débranchez le signal d'entrée reçu par l'ampli, puis allumez et éteignez l'ampli.
2. Si le bruit disparaît, connectez le fil REM de l'ampli à la source audio avec un module d'allumage temporisé.

OU

1. Utilisez une source de 12 Volts différente pour le fil REM de l'ampli (p. ex., directement de la batterie).
2. Si le bruit disparaît, utilisez un relais pour isoler l'ampli du signal de bruit du démarrage.

Procédure 4 : vérifiez l'ampli si un bruit de moteur excessif se produit.

1. Acheminez tous les fils de signal (RCA, câbles de haut-parleur) à l'écart des fils d'alimentation ou de masse.

OU

2. Contournez tous les composants électriques situés entre la stéréo et l'ampli. Connectez la stéréo directement à l'entrée de l'ampli. Si le bruit disparaît, l'unité contournée est la cause du bruit.

OU

3. Retirez les fils de masse de tous les composants électriques. Branchez de nouveau les fils à la masse, mais à des emplacements différents. Vérifiez que ceux-ci sont propres, que le métal est brillant sans trace de peinture, ni rouille, etc.

OU

4. Ajoutez un deuxième fil de masse allant de la borne négative de la batterie au métal du châssis ou au bloc-moteur du véhicule.

OU

5. Faites effectuer par votre mécanicien un essai de charge au niveau de l'alternateur et de la batterie. Vérifiez que le circuit électrique du véhicule fonctionne correctement, notamment le distributeur, les bougies et leurs câbles, le régulateur de tension, etc.

ACCESSOIRES

Condensateurs de connexion PUNCH

Maintenez la puissance nécessaire pour votre ampli Power.

Reportez-vous à notre site Web pour d'autres accessoires vous permettant de tirer profit pleinement de votre système.

www.rockfordfosgate.com

CARACTÉRISTIQUES

MODÈLE - CLASS bd	X5	X6	X7
Puissance nominale en continu (RMS) - Mesurée à 12,6 V (batterie)			
Charge de 4 Ω mono	275 watts x 1	425 watts x 1	650 watts x 1
Charge de 2 Ω mono	550 watts x 1	850 watts x 1	1300 watts x 1
Dimensions :			
Hauteur	8,07cm	8,07cm	8,07cm
Largeur	29,46cm	29,46cm	29,46cm
Longueur	38,33cm	44,68cm	51,03cm
Capacité du fusible de la batterie (amp.) (externe à l'amplificateur)	50 A Non fourni	100 A Non fourni	150 A Non fourni
Type de fusible	AGU	AGU	AGU
Rapport signal/bruit	>90 dB(A)		
Pente d'atténuation du filtre	24 dB/octave Butterworth		
Fréquence du filtre	LP (passe-bas) variable de 40 Hz à 250 Hz		
Réponse en fréquence	de 20 Hz à 220 Hz ±0,5 dB		
Bande passante	de 20 Hz à 220 Hz ±3 dB		
Facteur d'amortissement à 4 Ω (au connecteur de sortie)	>100		
Plage acceptable de tension de signal	variable de 150 mV à 5 V (entrée RCA)		
Protection	Porte de protection contre haute intensité. Tolérances de composant de circuit utilisées à titre de protection.		
Égalisation (basses Punch 45 Hz)	variable de 0 dB à +18 dB, à 45 Hz		
Impédance d'entrée	15 k-ohms		

Les spécifications sont sujettes à changements sans préavis

Rockford Corporation offre une garantie limitée sur les produits Rockford Fosgate selon les termes suivants :

Durée de la garantie

Amplificateurs PUNCH – 2 ans

Tout autre modèle d'amplificateur – 3 ans

Sources audio – 1 an

Haut-parleurs – 1 an

90 jours sur haut-parleur, amplificateur et source audio remis à neuf (reçu obligatoire)

Couverture

Cette garantie s'applique uniquement aux produits Rockford Fosgate vendus à des consommateurs par des distributeurs agréés Rockford Fosgate, aux États-Unis d'Amérique et leurs territoires. Les produits achetés par des consommateurs auprès d'un distributeur agréé Rockford Fosgate, dans un autre pays, sont couverts par le distributeur de ce pays et non par Rockford Corporation.

Qui est couvert?

Cette garantie s'applique uniquement à l'acheteur initial du produit Rockford acheté aux États-Unis auprès d'un distributeur agréé Rockford Fosgate. Afin de bénéficier du service de garantie, l'acheteur doit fournir à Rockford une copie du reçu indiquant le nom du client, le nom du distributeur, le produit acheté et la date d'achat.

Les produits jugés défectueux durant la période de garantie seront réparés ou remplacés (par un produit jugé équivalent) au choix de Rockford.

Non-couverture

1. Dommages causés par accident, abus, mauvaise utilisation, eau, vol
2. Coûts et frais relatifs au retrait ou à la réinstallation du produit
3. Service effectué par quelqu'un d'autre que Rockford ou un centre de service autorisé Rockford Fosgate
4. Tout produit dont le numéro de série a été oblitéré, altéré ou enlevé
5. Dommages subséquents infligés à d'autres composants
6. Tout produit acheté en dehors des États-Unis
7. Tout produit qui n'a pas été acheté auprès d'un distributeur agréé Rockford Fosgate

Limite sur les garanties implicites

Toute garantie implicite, y compris toute garantie d'adéquation à un usage particulier et de commerciabilité, est limitée dans le temps à la période de la garantie expresse énoncée ci-dessus. Certaines juridictions ne permettent pas de limitation sur la durée des garanties implicites. En conséquence, l'exclusion ci-dessus peut ne pas vous être applicable. Aucune personne n'est autorisée à assumer une quelconque autre responsabilité au nom de Rockford Fosgate relative à la vente de ce produit.

Pour l'obtention de service

Veillez appeler le service à la clientèle Rockford au 1-800-669-9899. Vous devez obtenir un numéro d'autorisation de retour de marchandise (RA#) avant de renvoyer le produit à Rockford Fosgate. La responsabilité de l'envoi du produit à Rockford vous incombe entièrement.

Garantie de l'Union Européenne

Ce produit est conforme aux exigences de garantie actuelles de l'UE. Voir votre distributeur agréé pour plus de détails.

Destinataire : **Electronics**
Rockford Corporation
Warranty Repair Department
2055 E. 5th Street
Tempe, AZ 85281
RA# : _____

Destinataire : **Speakers**
Rockford Acoustic Design
Speaker Returns
2356 Turner Ave. NW
Grand Rapids, MI 49544
RA# : _____

INTRODUCCIÓN

Estimado cliente,

Felicitaciones por su compra de la mejor marca del mundo de amplificadores para automóviles. En Rockford Fosgate somos fanáticos de la mejor reproducción musical y estamos agradecidos de que haya escogido nuestro producto. Con muchos años de experiencia en ingeniería, conocimiento del oficio y procedimientos de prueba críticos, hemos creado una amplia gama de productos para reproducción musical con toda la claridad y la riqueza que usted merece.

Para obtener el mejor rendimiento, le recomendamos que su nuevo producto de Rockford Fosgate sea instalado por un Distribuidor Autorizado de Rockford Fosgate, puesto que les ofrecemos capacitación especializada a través del Instituto de Capacitación Técnica Rockford (RTTI). Por favor lea la garantía, conserve el recibo y la caja original para que los use como posible referencia futura.

Cuando se trata de su sistema, la excelencia del producto y la instalación competente sólo representan una pieza del rompecabezas. Asegúrese de que la persona que instale su sistema utilice accesorios 100% auténticos de Connecting Punch. Connecting Punch tiene todos los accesorios necesarios, desde cables RCA y cableado para altavoces, hasta líneas de alimentación y conectores de batería. ¡Insista en ello! Después de todo, su nuevo sistema sólo merece lo mejor.

Para darle el toque final a su nueva imagen Rockford Fosgate; pida sus accesorios Rockford, los cuales incluyen playeras, chaquetas, gorras y anteojos para sol.

Para obtener un folleto gratis de los productos de Rockford Fosgate y accesorios Rockford en los EE.UU., llame al 480-967-3565 o por FAX 480-967-8132.

Para todos los demás países, llame al +001-480-967-3565 o envíe un FAX al +001-480-967-8132.

PRACTIQUE EL SONIDO SEGURO™

El contacto continuo con niveles de presión de sonido superiores a 100 dB puede causar la pérdida permanente de la audición. Los sistemas de sonido de alta potencia para automóviles pueden producir niveles de presión de sonido superiores a los 130 dB. Aplique el sentido común y practique el sonido seguro.

Si tiene preguntas sobre este producto después de leer el manual, le recomendamos que consulte a su distribuidor de Rockford Fosgate. Si necesita ayuda adicional, puede llamarnos directamente al 1-800-669-9899. Asegúrese de tener listo el número de la serie, número del modelo y la fecha de compra cuando llame.

El número de la serie se encuentra en el exterior de la caja. Por favor, escríbalos en el espacio que se indica a continuación para tener una anotación permanente. Eso servirá como verificación de la garantía de fábrica y podría ser de utilidad para recuperar su unidad fuente si alguna vez se la roban.

Número de la serie: _____

Número del modelo: _____

ÍNDICE DE MATERIAS

Introducción	2
Instrucciones de seguridad	3
Características del diseño	4
Instalación	4-7
Consideraciones para la instalación	4
Lugares de montaje	5
Batería y Carga	6
Cableado del sistema	6
Bajo Punch Remoto (Punch Bass)	7

Funcionamiento	8
Ajuste de ganancia	8
Ajuste de la frecuencia de X-over (Transición)	8
Opciones de Colores	8
Aplicaciones	9-10
Solución de problemas	9
Accesorios	9
Especificaciones	10
Información sobre la garantía limitada	11

NOTA: Lea cada sección para obtener información más detallada.

INICIO

¡Bienvenidos a Rockford Fosgate! Este manual ha sido creado para proporcionarle información al dueño, vendedor y técnico de instalación. Para quienes desean información rápida sobre cómo instalar este producto, por favor vean la **Sección Instalación** de este manual. El resto de la información puede encontrarse usando el Índice de Materias. Nosotros, en Rockford Fosgate hemos trabajado arduamente para asegurarnos que toda la información de este manual esté actualizada. Ya que constantemente encontramos nuevas formas para mejorar nuestros productos, esta información está sujeta a cambios sin previo aviso.

INSTRUCCIONES DE SEGURIDAD



ADVERTENCIA

Este símbolo de “**ADVERTENCIA**” tiene por objeto alertar al usuario sobre la presencia de instrucciones de importancia. No tener en cuenta las instrucciones podría resultar en lesiones severas o muerte.



PRECAUCIÓN

Este símbolo de “**PRECAUCIÓN**” tiene por objeto alertar al usuario sobre la presencia de instrucciones de importancia. No tener en cuenta las instrucciones podría resultar en lesiones o daños a la unidad.



PRECAUCIÓN:

Para prevenir lesiones y daño a la unidad, por favor lea y cumpla las instrucciones de este manual. Deseamos que disfrute este sistema y no que sea algo oneroso.



PRECAUCIÓN:

Si no tiene la certeza de poder instalar el sistema, hágalo instalar por una persona técnicamente calificada por Rockford Fosgate.



PRECAUCIÓN:

Antes de la instalación, desconecte el terminal negativo (-) de la batería para que evite posibles lesiones, daños a la unidad o incendio.

CONTENIDO DE LA CAJA

Bien sea un Amplificador Monofónico
Modelo X5, X6 o X7
Manual de instalación y funcionamiento
Juego de implementos para el montaje

1 llave hexagonal de 1/8"
1 llave hexagonal de 3/32"
1 llave hexagonal de 3/16"
Calcomanía de RF

El juego de implementos que se incluye con cada amplificador contiene lo necesario para fijar el amplificador al vehículo y para conectarle la tapa al disipador térmico.

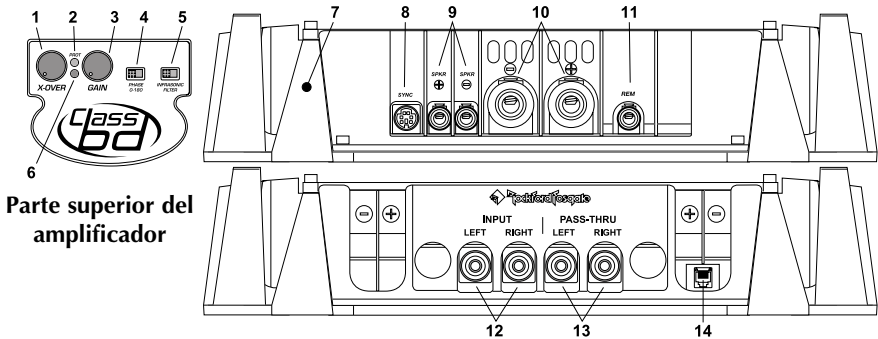
NOTA: Consulte la sección de especificaciones para los tamaños recomendados de los fusibles.

Visite nuestro sitio web para obtener la información más reciente sobre todos los productos Rockford.

www.rockfordfosgate.com

La contraseña para ingresar a la porción de Type RF es TYPERFUSA

Conexión de corriente



Parte superior del amplificador


- Transición variable** – Los amplificadores tienen un filtro Butterworth de 24dB/octava incorporado, con un punto de transición variable de 40Hz a 250Hz. La transición está puesta en Paso Bajo (LP).
- Diode fotoemisor de protección** – El diode fotoemisor (rojo) prende cuando la unidad se pone en protección. Requiere que se quite el AP momentáneamente para permitir la salida PWM.
- Control de ganancia** – El control de ganancia de entrada está precalibrado para que iguale la salida de la mayoría de las unidades fuente. Se puede ajustar para que iguale los niveles de salida de una variedad de unidades fuente.
- Fase** – Se usa cuando se conectan dos amplificadores bd juntos, para desfasar uno a 180° del otro.
- Filtro infrasónico** – Es un filtro de paso alto diseñado para evitar que el amplificador le aplique las frecuencias inferiores a la gama auditiva al altavoz de sonidos graves. Por consiguiente, mejora el rendimiento del altavoz para sonidos graves y la capacidad de carga.
- Diode electroluminescente indicador de corriente** - El diode electroluminescente se ilumina cuando la unidad está prendida.
- Disipador térmico de aluminio fundido** – El disipador térmico de aluminio fundido del amplificador Power disipa el calor generado por los circuitos. La ventaja inherente de la fundición brinda un 30% de refrigeración mejorada sobre los diseños de los modelos convencionales de extrusión para disipación térmica.
- Sync** – Los amplificadores tienen un conector mini DIN de 6 contactos. El cable SYNC se debe usar cuando haga funcionar dos amplificadores en puente. Eso permite la sincronización de los dos generadores independientes portadores de frecuencia en cada unidad.
- Terminales de los altavoces** - Los conectores del bloque terminal enchapados en oro y de alto rendimiento (+ y -) aceptarán tamaños de alambre de 8 AWG a 18 AWG. Estos conectores enchapados en oro son inmunes a la corrosión que puede causar deterioro de la señal.
- Terminales de alimentación de corriente** – Los conectores para corriente y tierra del amplificador están enchapados en oro y se les puede conectar un cable hasta de calibre 4 AWG, maximizando la capacidad de entrada de corriente del amplificador.
- Terminal REM** - Este terminal de horquilla se usa para apagar y prender el amplificador en forma remota cuando se le aplica corriente directa + de 12V.
- Enchufes RCA de entrada** – Los enchufes RCA de entrada normativos en la industria brindan una conexión fácil para entrada de nivel de la señal. Están enchapados en oro, para resistir la degradación de la señal causada por la corrosión.
- Enchufes RCA de paso directo** – El paso directo brinda una fuente conveniente para conectar un amplificador adicional en cadena, sin tener que conectar otro juego de cables RCA desde el frente del vehículo hasta el punto del amplificador trasero.


CONSIDERACIONES SOBRE LA INSTALACIÓN

La siguiente es una lista de las herramientas necesarias para la instalación:

Voltímetro / Ohmetro	Tubo termoretráctil de 1/8 pulgadas de diámetro
Pelacables	Variedad de conectores
Tenaza engarzadora de cables	Largo adecuado—Cable rojo para corriente
Cortador de cables	Largo adecuado—Cable de encendido remoto
Destornillador Phillips No. 2	Largo adecuado—Cable negro para conexión a tierra
Llave para bornes de batería	
Taladro manual con distintas brocas	

Esta sección se concentra en algunas de las consideraciones para su vehículo para instalar el nuevo amplificador. La planificación previa del diagrama de su sistema y las mejores rutas del cableado ayudarán a ahorrar tiempo en la instalación. Cuando se decide sobre el diagrama de su nuevo sistema, asegúrese de que cada componente esté accesible para realizar ajustes.

 **PRECAUCIÓN:** Si no está seguro sobre cómo instalar el sistema usted mismo, pídale a un técnico calificado que lo instale.

 **PRECAUCIÓN:** Antes de la instalación, desconecte el terminal negativo de la batería (-) para prevenir daño a la unidad, incendio y/o posibles lesiones.

Antes de comenzar la instalación, siga estas normas simples:

1. Asegúrese de leer y entender cuidadosamente las instrucciones antes de intentar instalar la unidad.
2. Para mayor seguridad, desconecte el electrodo negativo de la batería antes del comienzo de la instalación.
3. Para facilitar el montaje, le sugerimos que pase todos los cables antes de montar la unidad fuente en su lugar.
4. Pase todos los cables RCA juntos y lejos de recorridos de cables de alta corriente.
5. Use conectores de alta calidad para obtener una instalación fiable y reducir la pérdida de potencia.
6. ¡Piense antes de perforar! Tenga cuidado de no cortar o perforar el tanque de combustible, las líneas de combustible, líneas de frenos o hidráulicas, líneas de vacío o cableado eléctrico cuando trabaje en cualquier vehículo.
7. Nunca pase los cables por debajo del vehículo. Pasar los cables por el interior del vehículo ofrece la mejor protección.
8. Evite pasar los cables sobre o por bordes filosos. Use anillos de goma o plástico para proteger los cables pasados a través del metal, especialmente el muro contra fuego.
9. Proteja SIEMPRE la batería y el sistema eléctrico contra daños usando los fusibles apropiados. Instale el portafusible apropiado y el fusible en el cable de +12 V de potencia a una distancia máxima de 18 pulgadas (45,7 cm.) del terminal de la batería.
10. Cuando conecte el chasis del vehículo a tierra, quite la pintura del metal para asegurar una conexión a tierra buena y limpia. Las conexiones de toma de tierra deberán ser las más cortas posibles y deberán estar siempre conectadas al metal que está soldado al cuerpo principal, o chasis del vehículo.

LUGARES DE MONTAJE

Esta sección se concentra en algunas de las consideraciones para su vehículo que son necesarias para instalar su nuevo amplificador.

Compartimento del motor

Nunca instale esta unidad en el compartimento del motor. Instalar la unidad en el compartimento del motor anulará su garantía.

Instalación en el maletero

Montar el amplificador verticalmente proporcionará el mejor enfriamiento al amplificador.

Se puede montar el amplificador en el piso del maletero pero esta posición ofrece menor enfriamiento que el montaje vertical.

Montar el amplificador boca abajo respecto a la plataforma posterior del maletero no proporcionará el enfriamiento adecuado, afectará severamente el rendimiento del amplificador y no se recomienda.

Instalación en la cabina de pasajeros

Se puede montar el amplificador en la cabina de pasajeros, siempre que usted proporcione una cantidad suficiente de aire al amplificador para que pueda enfriarse. Si planea montar el amplificador debajo del asiento del vehículo, deberá dejar un espacio mínimo de 1 pulgada (2,54 cm) alrededor del disipador térmico del amplificador.


Montar el amplificador con un espacio de aire menor de 1 pulgada (2,54 cm) alrededor del disipador térmico del amplificador en la cabina de pasajeros no proporcionará el enfriamiento apropiado, afectará severamente el rendimiento del amplificador y no se recomienda.


BATERÍA Y CARGA

Los amplificadores incrementarán la demanda de la batería del vehículo y el sistema de carga. Recomendamos verificar el estado del alternador y de la batería para asegurar que el sistema eléctrico tenga suficiente capacidad para procesar la demanda adicional en su sistema de estéreo. Sistemas eléctricos de fábrica que están en buenas condiciones deben tener capacidad suficiente para la demanda adicional de cualquier amplificador de Rockford Fosgate sin problemas, aunque la vida útil de la batería y del alternador pueden reducirse levemente. Para maximizar el funcionamiento de su amplificador, le sugerimos que use una batería de gran capacidad y un condensador para almacenamiento de energía.

CABLEADO DEL SISTEMA

 **PRECAUCIÓN:** Si no se siente capaz de instalar el cableado de su nueva unidad, por favor consulte a su Distribuidor Autorizado Rockford Fosgate local sobre la instalación.

 **PRECAUCIÓN:** Antes de la instalación, desconecte el terminal negativo de la batería (-) para prevenir daño a la unidad, incendio o posibles lesiones.

 **PRECAUCIÓN:** Evite pasar los cables de alimentación cerca de los cables de entrada de bajo nivel, de la antena, de los conductores de alimentación, de equipo sensible o de cableados preformados. Los cables de alimentación llevan bastante corriente y podrían inducir ruido en el sistema de audio.

1. Planifique la ruta de cableado. Mantenga los cables RCA juntos pero aislados de los cables de alimentación del amplificador y de cualquier accesorio del automóvil de alta potencia, especialmente de motores eléctricos. Esto se hace para evitar ruido de acoplamiento de campos eléctricos irradiantes en la señal de audio. Cuando pase los cables por el muro contra fuego o por cualquier barrera metálica, protéjalos con anillos de plástico o goma para evitar cortos circuitos. Deje los cables largos para poder ajustarlos posteriormente en forma precisa.
2. Prepare el cable ROJO (cable para corriente) para conectarlo al amplificador, pelando 1/2 pulgada (1,3 cm) de la aislación desde el extremo final del cable. Inserte el cable sin aislación en el terminal B+ y ajuste el tornillo de fijación para asegurar el cable en su lugar.

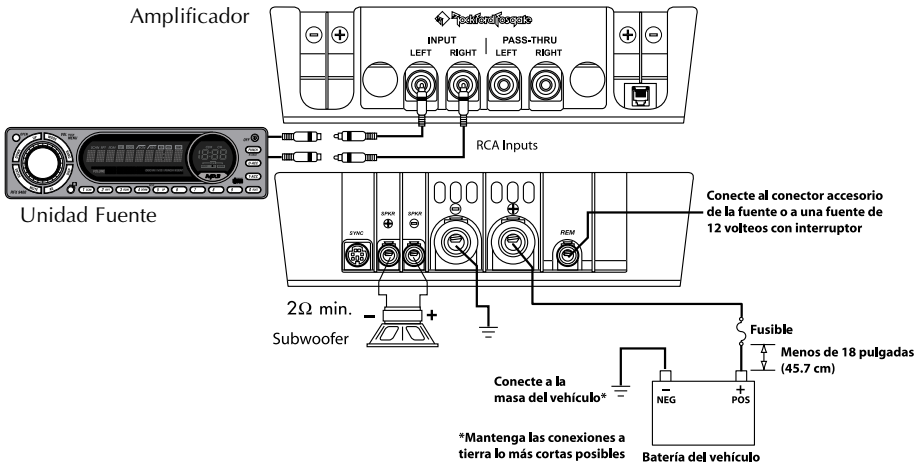
NOTA: El cable B+ DEBE estar protegido a 18 pulgadas (45,7 cm) de distancia o menos de la batería del vehículo. Instale el portafusibles debajo del capó y prepare los terminales del cable como se indicó anteriormente. Las conexiones no deberán permitir la entrada de agua.

3. Recorte el cable ROJO (cable para corriente) a una distancia de 18 pulgadas (45,7 cm) de la batería y pele 1/2 pulgada (1,3 cm) de la aislación del extremo final del cable. Corte el bucle de cable que está unido al portafusibles a la mitad y empalme el fusible en la línea de alimentación usando los conectores de entrada correctos. Use la sección de cable que recortó anteriormente y conéctela al otro extremo del portafusibles.
4. Pele 1/2 pulgada (1,3 cm) del cable para corriente del extremo de la batería y engarce a presión un anillo terminal grande al cable. Use el terminal del anillo para conectar al terminal positivo de la batería. No instale el fusible en este momento.
5. Prepare el cable NEGRO (cable a tierra) para conectarlo al amplificador, pelando 1/2 pulgada (1,3 cm) de la aislación del extremo final del cable. Inserte el cable sin aislación en el terminal GND (tierra) y ajuste el tornillo de fijación para asegurar el cable en su lugar. Prepare la conexión a tierra en el chasis raspando la pintura de la superficie de metal y limpie minuciosamente el polvo y la grasa del área. Pele el otro extremo del cable y conecte un anillo conector. Ajuste el cable al chasis con un tornillo no anodizado y una arandela en estrella.

6. Prepare el cable de encendido REM para conectarlo al amplificador, pelando 1/2 pulgada (1,3 cm) de la aislación del extremo final del cable. Inserte el cable sin aislación dentro del terminal REM y ajuste el tornillo de fijación para asegurar el cable en su lugar. Conecte el otro extremo del cable REM a una fuente positiva de 12 voltios conmutado. El voltaje conmutado generalmente se toma de la antena o de un conductor accesorio de la fuente. Si la unidad fuente no tiene estas salidas, se recomienda cablear un interruptor mecánico en línea con una fuente de 12 voltios para activar el amplificador.
7. Monte el amplificador seguramente al vehículo o al soporte del amplificador. Tenga cuidado de no montar el amplificador sobre paneles de cartón o plástico porque los tornillos pueden salirse del panel debido a la vibración o las frenadas repentinas del vehículo.
8. Conecte la señal de la fuente al amplificador, enchufando los cables RCA/entradas de alto nivel a los enchufes de entrada del amplificador.
9. Conecte los altavoces. Pele 1/2 pulgada (1,3 cm) de los cables de los altavoces, insérteles en los terminales de los altavoces y ajuste el tornillo de fijación en su lugar. Asegúrese de mantener la polaridad correcta en los altavoces. NO conecte ninguno de los conductores de los altavoces a tierra, ya que esto puede resultar en un funcionamiento inestable.
10. Realice un control final del cableado terminado del sistema para asegurarse de que todas las conexiones son precisas. Verifique que no haya cables pelados ni conexiones sueltas en ninguna de las conexiones de poder y a tierra que podrían causar problemas.

NOTA: Para establecer la polaridad de señal correcta siga los diagramas.

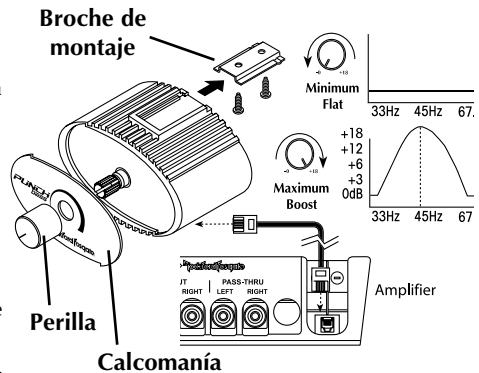
PRECAUCIÓN: No se recomiendan estos amplificadores para cargas de impedancia menores de 2Ω .



BAJO PUNCH REMOTO (Punch Bass)

Montaje e instalación

1. Encuentre un lugar debajo del tablero o cerca del centro de la consola, el cual permita acceder fácilmente al remoto.
2. Con los tornillos provistos, instale el broche de montaje con las aletas hacia la parte de atrás.
3. Pase el cable para el remoto y conéctelo al remoto y al subwoofer amplificado.
4. Deslice el remoto hacia el broche de montaje hasta que encaje en su lugar.
5. Instale la calcomanía y la perilla en el remoto.



AJUSTE DE LA GANANCIA

Para ajustar el valor de la ganancia, baje la ganancia del amplificador completamente. Suba el volumen de la unidad fuente hasta que la distorsión sea audible y luego bájelo un poco hasta que la distorsión no pueda escucharse. En la mayoría de las fuentes, esto ocurrirá aproximadamente a dos tercios del volumen total. A continuación, suba la ganancia del amplificador nuevamente hasta que la distorsión sea audible y luego bájela hasta que sea inaudible. Las unidades fuentes Rockford Fosgate no distorsionan. Por eso, el volumen puede usarse al máximo.

NOTA: Para un procedimiento de calibración más detallado, comuníquese con el Departamento de Asistencia Técnica de Rockford.

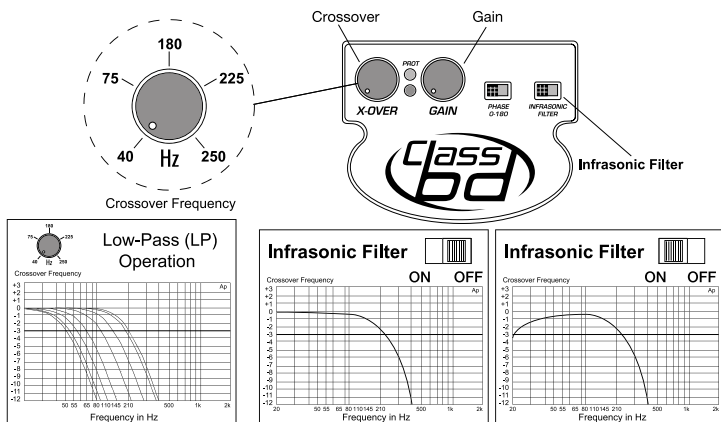
AJUSTE DE LA FRECUENCIA DE X-OVER (Transición)

La frecuencia de transición se puede ajustar de 40 a 250Hz. La transición está puesta en funcionamiento de Paso Bajo (LP) solamente.

Gire el botón para ajuste de transición completamente hacia abajo. Ponga a sonar el sistema y gire el botón para ajuste de transición lentamente hacia arriba, hasta que se obtenga el punto de transición deseado.

FILTRO INFRASÓNICO

Al poner el interruptor en "ON" activa un filtro infrasónico que limita la cantidad de información de frecuencia baja que le llega al altavoz de sonidos graves. Ajústelo de acuerdo a su preferencia personal mientras escucha el sistema de una manera y luego de la otra.

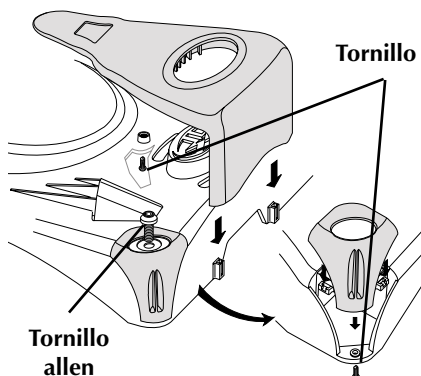


OPCIONES DE COLORES

Personalice su amplificador de Tipo RF al cambiar el plástico de encima y de las esquinas con colores diferentes. Disponibles en nuestro sitio en Internet o vendedor local.

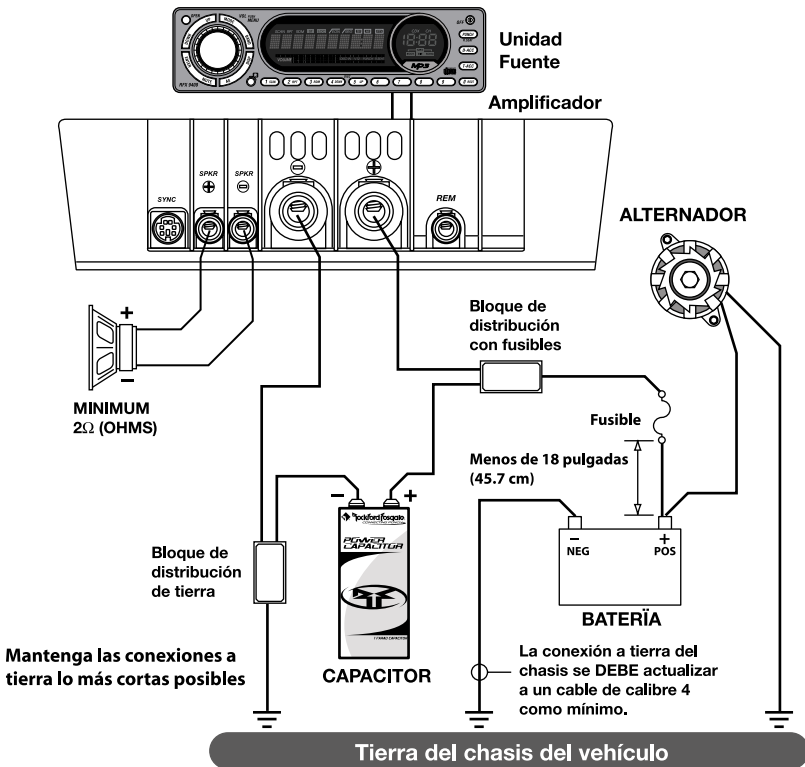
Las esquinas se pueden cambiar al quitar el tornillo del fondo, halar la esquina vieja hacia arriba y afuera, instalar la esquina nueva y volver a poner el tornillo.

El plástico de encima requiere que se quite la cubierta del amplificador. Quite los cuatro (4) tornillos allen de 3/16" de cada esquina. Quite el tornillo que fija al plástico superior en su posición, hale la tapa vieja hacia arriba y afuera, ponga la tapa nueva, asegúrese de que encaje en las muescas posteriores y vuelva a poner el tornillo. Ponga la cubierta y los cuatro (4) tornillos allen.



CONFIGURACIÓN RECOMENDADA PARA UN (1) AMPLIFICADOR

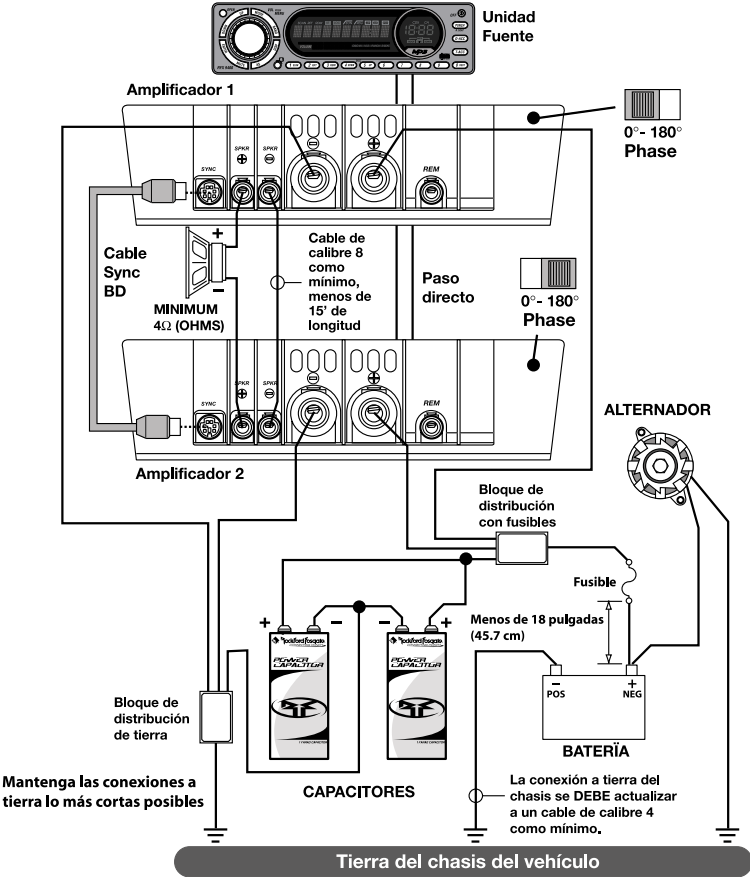
MODELO	X5	X6	X7
Gama de voltaje de funcionamiento (Voltios de CC)	10 – 15.5	10 – 15.5	10 – 15.5
Impedancia mínima del altavoz	2Ω(Ohmios)	2Ω(Ohmios)	2Ω(Ohmios)
Toma de corriente típica (Música) (Amperios)	30A	50A	90A
Toma de corriente típica (Ondas Sinusoidales) (Amperios)	50A	80A	140A
Tamaño de alternador recomendado (Automóvil corriente) (Amperios)	50A	75A	100A
Tamaño de alternador recomendado (Automóvil de competencia) (Amperios)	100A	150A	200A
Tamaño recomendado del cable de alimentación y tierra (AWG – Calibre de Alambre Estadounidense)	Calibre 8	Calibre 4	Calibre 4
Tamaño de capacitor recomendado	.5 Faradios	1 Faradios	1.5 Faradios



CONFIGURACIÓN RECOMENDADA PARA DOS (2) AMPLIFICADORES

Español

MODELO	(2)X5	(2)X6	(2)X7
Gama de voltaje de funcionamiento (Voltios de CC)	10 – 15.5	10 – 15.5	10 – 15.5
Impedancia mínima del altavoz	4Ω (Ohms)	4Ω (Ohms)	4Ω (Ohms)
Toma de corriente típica (Música) (Amperios)	60A	100A	180A
Toma de corriente típica (Ondas Sinusoidales) (Amperios)	100A	160A	280A
Tamaño de alternador recomendado (Automóvil corriente) (Amperios)	75A	100A	200A
Tamaño de alternador recomendado (Automóvil de competencia) (Amperios)	150A	150A	200A
Tamaño recomendado del cable de alimentación y tierra (AWG – Calibre de Alambre Estadounidense)	Calibre 4	Calibre 2	Calibre 1/0
Tamaño de capacitor recomendado	1 Faradio	2 Faradio	4 Faradio



NOTA: Si tiene problemas después de la instalación, siga los procedimientos de solución de problemas descritos a continuación.

Procedimiento 1: Verifique que el amplificador esté bien conectado.

Verifique que la luz de ALIMENTACIÓN (POWER) esté encendida. Si la luz de ALIMENTACIÓN está encendida prosiga con el Procedimiento 2. De no ser así, continúe.

1. Verifique el fusible en línea en el cable positivo de la batería. Reemplace si es necesario.
2. Verifique que la conexión a tierra esté conectada a un área de metal limpia del chasis del vehículo. Repare o reemplace si es necesario.
3. Verifique que haya una corriente de 10,5 – 15,5 voltios en el cable positivo de la batería y en el cable de encendido remoto. Verifique la calidad de las conexiones de ambos cables en el amplificador, el estéreo y la batería/portafusibles. Repare o reemplace si es necesario.

Procedimiento 2: Verifique la salida de audio del amplificador.

1. Verifique que haya buenas conexiones RCA/de alto nivel de entrada en el estéreo y el amplificador. Fíjese que no haya pellizcos, empalmes, etc. en todo el largo de los cables. Pruebe las entradas RCA/de alto nivel para la CA actual con el estéreo encendido. Repare o reemplace si es necesario.
2. Desconecte la entrada RCA/de alto nivel del amplificador. Conecte la entrada de RCA/de alto nivel del estéreo de prueba directamente a la entrada del amplificador.

Procedimiento 3: Verifique el amplificador si tiene chasquidos al encender.

1. Desconecte la señal de entrada al amplificador y encienda y apague el amplificador.
2. Si el ruido se elimina, conecte el conductor REM del amplificador a la unidad fuente con un módulo de encendido de retardo.

O

1. Use una fuente de 12 voltios distinta para el conductor REM del amplificador (ejemplo, directo a la batería).
2. Si el ruido se elimina, use un relé para aislar el amplificador de la salida de encendido ruidosa.

Procedimiento 4: Verifique el amplificador si siente excesivo ruido de motor.

1. Pase todos los cables que llevan señales (RCA, cables de altavoces) lejos de los cables de alimentación y de tierra.

O

2. Desvíe cualquiera y todos los componentes eléctricos entre el estéreo y los amplificadores. Conecte el estéreo directamente a la entrada del amplificador. Si el ruido desaparece el componente que está siendo desviado es la causa del ruido.

O

3. Quite los cables a tierra existentes de todos los componentes eléctricos. Vuelva a conectarlos a tierra en lugares diferentes. Verifique que el sitio de conexión a tierra esté limpio, que sea metal brillante sin pintura, óxido, etc.

O

4. Añada un cable a tierra secundario desde el terminal negativo de la batería al chasis de metal o al bloque del motor del vehículo.

O

5. Haga que su mecánico pruebe la carga del alternador y la batería. Verifique que el sistema eléctrico del vehículo esté en orden, incluyendo el distribuidor, las bujías, los cables de las bujías, el regulador de voltaje, etc.

ACCESORIOS

Capacitores conectores PUNCH

Mantienen la corriente que usted necesita para su amplificador de potencia.

Visite nuestro sitio en la red en busca de otros accesorios, para ayudarle a obtener el mejor provecho de su sistema.

www.rockfordfosgate.com

ESPECIFICACIONES

MODELO - CLASS bd	5X	6X	7X
Clasificación de corriente continua (Valor eficaz) - Medida a 12,6 voltios en la batería			
Carga monofónica 4Ω	275 vatios x 1	425 vatios x 1	650 vatios x 1
Carga monofónica 2Ω	550 vatios x 1	850 vatios x 1	1300 vatios x 1
Dimensiones:			
Altura	8,07cm	8,07cm	8,07cm
Anchura	29,46cm	29,46cm	29,46cm
Longitud	38,33cm	44,68cm	51,03cm
Clasificación de fusibles de la batería			
(Amperios)	50A	100A	150A
(Externos al amplificador)	No incluidos	No incluidos	No incluidos
Tipo de fusible	AGU	AGU	AGU
Relación entre ruido y señal		>90dB ponderado A	
Declive de transición		24dB/octava Butterworth	
Frecuencia de transición		Paso bajo variable (LP) de 40Hz a 250Hz	
Frecuencia de respuesta		20Hz a 220Hz ±0.5dB	
Ancho de banda		20Hz a 220Hz ±3dB	
Decrecimiento a 4Ω (en el conector de salida)		>100	
Señal aceptable de gama de voltaje		Variable de 150mV a 5V (Entrada RCA)	
Protección:		Protección contra el cierre por sobrecorriente. Las tolerancias del componente del circuito se usan para protección.	
Compensación (45Hz Bajo Punch)		Variable de 0dB a +18dB a 45Hz	
Impedancia de entrada.		15k ohmios	

Estas especificaciones están sujetas a cambio sin previo aviso

Rockford Corporation ofrece una garantía limitada para los productos Rockford Fosgate bajo los siguientes términos:

Duración de la garantía

Amplificadores PUNCH – 2 años **Todos los demás modelos de amplificadores – 3 años**

Unidades fuente – 1 año **Altavoces – 1 año**

90 días para los altavoces, amplificador y unidad fuente surtido-B (comprobante de compra requerido)

Qué está cubierto

Esta garantía se aplica solamente a los productos Rockford Fosgate vendidos a consumidores por Concesionarios Autorizados Rockford Fosgate en los Estados Unidos o sus posesiones. Los productos comprados por los consumidores en un Distribuidor Autorizado Rockford Fosgate de otro país están cubiertos solamente por el Distribuidor de dicho país y no por Rockford Corporation.

Quién está cubierto

Esta garantía cubre solamente al comprador original del producto Rockford comprado en un Concesionario Autorizado de Rockford Fosgate de los Estados Unidos. Para poder recibir el servicio, el comprador debe presentarle a Rockford una copia del recibo indicando el nombre del cliente, nombre del distribuidor, producto comprado y la fecha de la compra.

Los productos que estén defectuosos durante el período de la garantía serán arreglados o reemplazados (con un producto equivalente) a entera discreción de Rockford.

Qué no está cubierto

1. Daños causados por accidentes, abusos, funcionamiento inadecuado, agua, robo
2. Cualquier costo o gasto relacionado con la desinstalación o nueva instalación del producto
3. Servicios prestados por alguien que no sea un Centro de Servicio Autorizado por Rockford Fosgate
4. Cualquier producto que tenga el número de serie borrado, alterado o removido
5. Daños posteriores a otros componentes
6. Cualquier producto comprado fuera de los EE.UU.
7. Cualquier producto no comprado en un Distribuidor Autorizado de Rockford Fosgate

Límite de las garantías implícitas

Cualquier garantía implícita incluyendo las garantías de aptitud de uso y comerciabilidad, está limitada, en duración al período de la garantía expresa indicada anteriormente. Algunos estados no permiten limitaciones en la duración de una garantía implícita, de modo que esta limitación puede no aplicarse. Ninguna persona está autorizada a adoptar ninguna otra obligación en conexión con la venta del producto en nombre de Rockford Fosgate.

Cómo obtener servicio

Por favor, llame al 1-800-669-9899 para obtener Servicio al Cliente de Rockford. Debe obtener un # NADM (Número de Autorización para la Devolución del Material) para enviar cualquier producto a Rockford Fosgate. Usted es responsable por el envío del producto a Rockford.

Garantía UE

Este producto satisface los requisitos de garantía de la UE actuales, ver al distribuidor autorizado para mayores detalles.

Enviar a: **Electronics**
Rockford Corporation
Warranty Repair Department
2055 E. 5th Street
Tempe, AZ 85281
RA#: _____

Enviar a: **Speakers**
Rockford Acoustic Design
Speaker Returns
2356 Turner Ave. NW
Grand Rapids, MI 49544
RA#: _____

EINLEITUNG

Liebe Kundin, lieber Kunde,

wir gratulieren Ihnen zu Ihrem Kauf von Autoaudioverstärkern der besten Marke weltweit. Wir bei Rockford Fosgate sind Fanatiker, wenn es um die beste musikalische Reproduktion geht, und freuen uns darüber, dass Sie unser Produkt gewählt haben. Durch jahrelange Ingenieurserfahrung, Handwerkskunst und kritische Testverfahren haben wir ein weites Spektrum an Produkten geschaffen, die die Musik mit aller Klarheit und Klangschönheit reproduziert, die Sie verdienen.

Zur maximalen Performance empfehlen wir, dass Sie Ihr neues Rockford Fosgate Produkt von einem Vertragshändler von Rockford Fosgate einbauen lassen, da wir durch das Rockford Technical Training Institute (RTTI) spezialisierte Ausbildung bieten. Bitte lesen Sie Ihre Garantie und bewahren Sie Ihre Quittung und Originalverpackung zum eventuellen späteren Gebrauch auf.

Hervorragende Produkte und kompetenter Einbau sind nur Teile des Puzzles, wenn es um Ihr System geht. Vergewissern Sie sich, dass derjenige, der Ihr System einbaut, nur authentischen Installationszubehör von Connecting Punch bei Ihrem Einbau verwendet. Connecting Punch führt alles von RCA- und Lautsprecherkabeln zu Stromkabeln und Batterieadaptoren. Bestehen Sie darauf! Schließlich verdient Ihr neues System nur das Beste.

Um Ihrem neuen Rockford Fosgate Image den letzten Schliff zu geben, bestellen Sie Ihre Rockford Accessoires. Dazu gehört alles von T-Shirts und Jacken zu Kappen und Sonnenbrillen.

Eine kostenlose Broschüre über Rockford Fosgate Produkte und Rockford Accessoires ist in den USA unter der Rufnummer (480) 967-3565 oder der Faxnummer (480) 967-8132 erhältlich. Anrufer aus anderen Ländern wählen bitte zunächst die Ländervorwahl +001.

Deutsch

PRAKTIZIEREN SIE SICHEREN SOUND

Fortgesetzte Geräuschdruckpegel von über 100 dB können beim Menschen zu permanentem Hörverlust führen. Leistungsstarke Autosoundsysteme können Geräuschdruckpegel erzeugen, die weit über 130 dB liegen. Bitte wenden Sie gesunden Menschenverstand an und praktizieren Sie sicheren Sound.

Falls Sie nach der Lektüre Ihrer Gebrauchsanleitung noch Fragen hinsichtlich dieses Produkts haben, empfehlen wir, dass Sie einen Rockford Fosgate Vertragshändler kontaktieren. Wenn Sie weitere Fragen haben, können Sie uns direkt unter 1-800-669-9899 anrufen. Bei Ihrem Anruf haben Sie bitte die Seriennummer, Modellnummer und das Kaufdatum griffbereit.

Die Seriennummer befindet sich auf der Außenseite der Verpackung. Bitte notieren Sie diese Nummer nachfolgend, so dass sie stets bei Ihren Unterlagen ist. Sie dient zur Verifizierung Ihrer Werksgarantie und kann sich als nützlich erweisen, sollte Ihr Gerät jemals gestohlen werden.

Seriennummer: _____

Modellnummer: _____

INHALTSVERZEICHNIS

Einleitung	2	Betrieb	8
Sicherheitshinweise	3	Lautstärke einstellen	8
Designcharakteristiken	4	Crossover-Frequenz einstellen	8
Einbau	4-7	Farboptionen	8
Einbauüberlegungen	4	Anwendungen	9-10
Befestigungsstellen	5	Fehlerbeseitigung	9
Batterie und Aufladung	6	Zubehör	9
Verkabelung des Systems	6	Technische Daten	10
Punchbass-Fernbedienung	7	Informationen zur beschränkten Garantie	11

HINWEIS: Lesen Sie jeden Abschnitt für detaillierte Informationen.

HIER GEHT'S LOS

Willkommen bei Rockford Fosgate! Diese Anleitung bietet dem Besitzer, Verkäufer und Einbauenden Informationen. Kurzgefasste Informationen zum Einbau dieses Produkts finden sich im Abschnitt „**Einbau**“ dieser Anleitung. Andere Informationen können Sie mithilfe des Inhaltsverzeichnisses auffinden. Wir bei Rockford Fosgate haben uns sehr darum bemüht, dass alle in dieser Anleitung enthaltenen Informationen auf dem neusten Stand sind. Da wir unsere Produkte jedoch ständig weiterentwickeln, können sich diese Informationen jedoch ohne Ankündigung ändern.

SICHERHEITSHINWEISE


WARNUNG


Dieses Symbol mit dem Wort „**WARNUNG**“ soll den Benutzer auf wichtige Hinweise aufmerksam machen. Nichtbeachtung der Hinweise führt zu schweren Verletzungen oder Tod.

VORSICHT

Dieses Symbol mit dem Wort „**VORSICHT**“ soll den Benutzer auf wichtige Hinweise aufmerksam machen. Nichtbeachtung der Hinweise kann zu Verletzungen oder Schäden am Gerät führen.

 **VORSICHT:** Bitte lesen Sie zur Vermeidung von Verletzungen und Schäden am Gerät die Hinweise in dieser Anleitung. Wir möchten, dass Ihr System Ihnen Freude, nicht Kopfschmerzen bereitet.

 **VORSICHT:** Wenn Sie beim Einbau des Geräts unsicher sind, lassen Sie es bitte von einem qualifizierten Rockford Fosgate Techniker einbauen.

 **VORSICHT:** Entfernen Sie vor dem Einbau den negative Batteriepol, um Schäden am Gerät, Feuer bzw. mögliche Verletzungen zu vermeiden.

INHALT DES KARTONS

Entweder ein Modell X5, X6 oder X7
Monoverstärker
Einbau- und Bedienungsanleitung
Befestigungszubehör
Punchbass-Fernbedienungsset mit Kabel

3,18 mm-Inbusschlüssel
2,38 mm-Inbusschlüssel
4,76 mm-Inbusschlüssel
RF-Aufkleber

Das Befestigungszubehörset, das jedem Verstärker beiliegt, enthält das nötige Zubehör, um den Verstärker im Fahrzeug zu befestigen und die Abdeckung am Kühlkörper anzubringen.

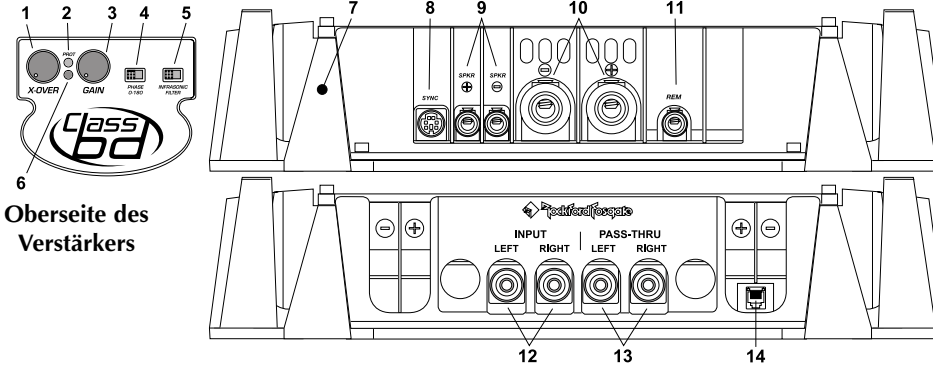
HINWEIS: Die empfohlenen Sicherungsgrößen können dem Abschnitt Technische Daten entnommen werden.

Die neusten Informationen über alle Rockford Produkte finden Sie auf unserer Website im Internet.

www.rockfordfosgate.com

Das Passwort für den Zugang zum Abschnitt Type RF heißt TYPERFUSA

Stromanschluss



Oberseite des Verstärkers

Deutsch

1. **Variierbares Crossover** – Die Verstärker haben einen eingebauten 24 dB/Oktav Butterworth-Filter mit einem von 40 Hz bis 250 Hz variierbaren Crossover-Punkt. Das Crossover ist auf Niedrigpass (LP) eingestellt.
2. **Schutz-LED** – Die (rote) LED leuchtet auf, wenn der Schutz am Gerät eingeschnappt ist. Ein vorübergehendes Entfernen des AP ist erforderlich, um Ausgangs-PBM (Pulsbreitenmodulation) zu aktivieren.
3. **Lautstärkereglер** – Der Eingangslautstärkereglер ist werkseitig so eingestellt, dass er der Leistung der meisten Source-Geräte entspricht. Er kann den Ausgangspegeln einer Vielzahl von Source-Geräten angepasst werden.
4. **Phase** – Wird verwendet, wenn zwei bd-Verstärker verbunden werden, um einen Verstärker 180° vom anderen einzustellen.
5. **Infraschallfilter** – Ein Hochpassfilter, der dazu konstruiert ist zu verhindern, dass unterhalb der Hörgrenze liegende Frequenzen vom Verstärker an den Subwoofer geleitet werden. Dadurch wird die Performance und Stromaufnahme-fähigkeit des Subwoofers verbessert.
6. **Leuchtdiode zur Anzeige der Betriebsbereitschaft** – Die Leuchtdiode leuchtet auf, wenn das Gerät angestellt ist.
7. **Aluminiumguss-Kühlkörper** – Der Aluminiumguss-Kühlkörper des Power-Verstärkers führt die durch die Schaltungsbauteile des Verstärkers erzeugte Wärme ab. Der natürliche Vorteil eines Gussstücks bietet eine 30-prozentige Verbesserung der Kühlung gegenüber Kühlkörpern mit konventionellen Extrusionsdesigns.
8. **Sync** – Die Verstärker haben 6-stiftige Mini-DIN-Anschlüsse. Wenn zwei Verstärker im Brückenmodus betrieben werden, muss ein SYNC-Kabel benutzt werden. Dadurch können die zwei unabhängigen Trägerfrequenzgeneratoren in den beiden Geräten synchronisiert werden.
9. **Lautsprecheranschlüsse** – Die hochbelastbaren, vergoldeten Anschlussstücke (+ und –) nehmen Kabel von Größe 8 AWG bis 18 AWG auf. Diese vergoldeten Anschlüsse sind Signalverlust verursachender Korrosion gegenüber immun.
10. **Fernbedienungsanschluss** – Dieser spatenförmige Anschluss wird dazu benutzt, den Verstärker per Fernbedienung durch Anwendung von +12 V GS an- und auszuschalten.
11. **Stromanschlüsse** – Die Strom- und Erdungsanschlüsse am Verstärker sind vergoldet und nehmen Kabel bis zu 4 AWG auf, wodurch die Stromaufnahme-fähigkeit des Verstärkers maximiert wird.
12. **RCA-Anschlüsse** – Die genormten RCA-Anschlüsse ermöglichen einfaches Anschließen des Signalpegeleingangs. Sie sind vergoldet, um dem durch Korrosion verursachten Qualitätsverlust des Signals zu widerstehen.
13. **RCA-Durchgangsausgänge** – Der Durchgang bietet eine bequeme Quelle zum Daisy-Chaining eines zusätzlichen Verstärkers, ohne einen weiteren Satz von RCA-Kabeln vom vorderen Bereich des Wagens zum hinten befindlichen Verstärker zu verlegen.

EINBAUÜBERLEGUNGEN

Die nachfolgenden Werkzeuge werden für den Einbau benötigt:

Spannungs- und Widerstandsmesser	Schrumpfschlauch (3 mm Durchmesser)
Abisolierzange	Verschiedene Anschlusssteile
Drahtkripper	Angemessene Länge—Rotes Stromkabel
Drahtschere	Angemessene Länge—
Kreuzschraubenzieher Nr. 2	Fernbedienungsanschlussskabel
Batteriestützenschlüssel	Angemessene Länge—Schwarzes Erdungskabel
Handbohrer mit verschiedenen Bohrerspitzen	

Dieser Abschnitt konzentriert sich auf Erwägungen hinsichtlich des Einbaus Ihres neuen Verstärkers im Fahrzeug. Vorausplanung Ihres Systemlayouts und der besten Verkabelungsrouten spart Zeit beim Einbau. Prüfen Sie bei der Wahl eines Layouts für Ihr neues System, ob alle Komponenten leicht erreichbar sind, um Einstellungen vorzunehmen.

 **VORSICHT:** Wenn Sie beim Einbau des Geräts unsicher sind, lassen Sie es bitte von einem qualifizierten Rockford Fosgate Techniker einbauen.

 **VORSICHT:** Entfernen Sie vor dem Einbau den negativen Batteriepol, um Schäden am Gerät, Feuer bzw. mögliche Verletzungen zu vermeiden.

Befolgen Sie vor dem Einbau diese einfachen Regeln:

1. Lesen Sie die Anleitung sorgfältig, bevor Sie versuchen das Gerät einzubauen.
2. Entfernen Sie vor dem Einbau aus Sicherheitsgründen das negative Kabel von der Batterie.
3. Um die Montage zu erleichtern, empfehlen wir, alle Kabel vor der Befestigung des Source-Geräts zu verlegen.
4. Verlegen Sie alle RCA-Kabel dicht zusammen und im Abstand zu jeglichen Hochstromkabeln.
5. Verwenden Sie nur Qualitätsstecker, um einen verlässlichen Einbau zu gewährleisten und Signal- und Stromverlust zu minimieren.
6. Denken Sie nach, bevor Sie bohren! Achten Sie darauf, nicht in den Benzintank, die Benzin-, Brems- oder hydraulische Leitungen, Vakuundleitungen oder Elektrokabel zu schneiden oder zu bohren, wenn Sie an einem Fahrzeug arbeiten.
7. Verlegen Sie Kabel nie unter dem Fahrzeug. Die Kabel im Fahrzeug zu verlegen, bietet den besten Schutz.
8. Vermeiden Sie es, Kabel über scharfe Kanten zu verlegen. Verwenden Sie Gummi- oder Plastikringe, um Kabel zu schützen, die durch Metall verlegt werden (besonders die Feuerwand).
9. Schützen Sie die Batterie und das elektrische System **IMMER** durch ordnungsgemäße Sicherungen vor Schäden. Installieren Sie die entsprechende Sicherungshalterung und Sicherung auf dem +12V Stromkabel maximal 45 cm vom Batteriepol.
10. Kratzen Sie bei der Erdung über das Fahrgestell alle Farbe vom Metall, um eine gute, saubere Erdungsverbindung zu gewährleisten. Erdungsverbindungen sollten so kurz wie möglich und stets an Metall angeschlossen sein, das an die Karosserie oder das Fahrgestell geschweißt ist.

BEFESTIGUNGSSTELLEN

Die Stelle, an der Ihr verstärkter Tieftöner eingebaut ist, wirkt sich stark auf die erzielte Soundperformance aus.

Motorraum

Das Gerät darf nicht im Motorraum installiert werden. Ein solcher Einbau führt zum Verlust der Garantie.

Einbau im Kofferraum

Vertikale Befestigung des Verstärkers bietet die beste Kühlung des Verstärkers.

Befestigung des Verstärkers am Boden des Kofferraums ist möglich, bietet jedoch geringere Kühlung als vertikale Befestigung.

Befestigung des Verstärkers mit der Oberseite nach unten am Kofferraumdeckel bietet keine ordnungsgemäße Kühlung und wirkt sich negativ auf die Leistung des Verstärkers aus. Von ihr wird dringend abgeraten.

Einbau im Innenraum

Befestigung des Verstärkers im Innenraum ist möglich, solange gewährleistet ist, dass der Verstärker genügend Luftzufuhr hat, um sich selbst zu kühlen. Wenn Sie den Verstärker unter dem Fahrzeugsitz befestigen, muss ein Luftspalt von wenigstens 2,54 cm um den Kühlkörper des Verstärkers herum vorhanden sein.

Befestigung des Verstärkers bei einem Luftspalt von weniger als 2,54 cm um den Kühlkörper des Verstärkers herum bietet keine ordnungsgemäße Kühlung und wirkt sich negativ auf die Leistung des Verstärkers aus. Von ihr wird dringend abgeraten.

BATTERIE UND AUFLADUNG

Verstärker belasten Batterie- und Aufladungssystem Ihres Fahrzeugs zusätzlich. Wir empfehlen eine Überprüfung des Zustands Ihrer Lichtmaschine und Batterie, um zu gewährleisten, dass das elektrische System ausreichende Kapazitäten hat, um die zusätzliche Belastung durch Ihre Stereoanlage zu verkraften. Gewöhnliche elektrische Systeme in gutem Zustand sollten in der Lage sein, die zusätzliche Belastung aller Verstärker von Rockford Fosgate problemlos zu verkraften. Jedoch kann die Lebensdauer von Batterie und Lichtmaschine geringfügig verringert werden. Um die Leistung Ihres Verstärkers zu maximieren, empfehlen wir die Verwendung einer hochbelastbaren Batterie und eines Energiespeicherkondensators.

VERKABELUNG DES SYSTEMS

⚠ VORSICHT: Wenn Sie beim Einbau des Geräts unsicher sind, lassen Sie es bitte von einem qualifizierten Rockford Fosgate Techniker einbauen.

⚠ VORSICHT: Entfernen Sie vor dem Einbau den negative Batteriepol, um Schäden am Gerät, Feuer bzw. mögliche Verletzungen zu vermeiden.

⚠ VORSICHT: Vermeiden Sie es, Stromkabel in der Nähe von niedrigaktiven Eingangskabeln, der Antenne, Stromleitungen, empfindlichem Gerät oder Halterungen zu verlegen. Die Stromkabel leiten erheblichen Strom und können Geräusche im Audiosystem verursachen.

1. Planen Sie die Kabelrouten. Die RCA-Kabel sollen dicht zusammen bleiben, aber von den Stromkabeln des Verstärkers und anderem Hochleistungszubehör, insbesondere von elektrischen Motoren isoliert sein. Dies dient dazu, die Kupplung von Geräuschen aus elektrischen Strahlungsfeldern in das Audiosignal zu verhindern. Werden Kabel durch die Feuerwand oder andere Metallbarrieren geführt, die Kabel zur Vermeidung von Kurzschlüssen mit Plastik- oder Gummiringen schützen. Die Kabel zunächst etwas länger lassen und erst später exakt anpassen.
2. Das ROTE Kabel (Stromkabel) zur Befestigung am Verstärker durch Abziehen von 13 mm der Isolation am Kabelende vorbereiten. Das freigelegte Kabel in den B+ Pol einführen und die Befestigungsschraube anziehen.

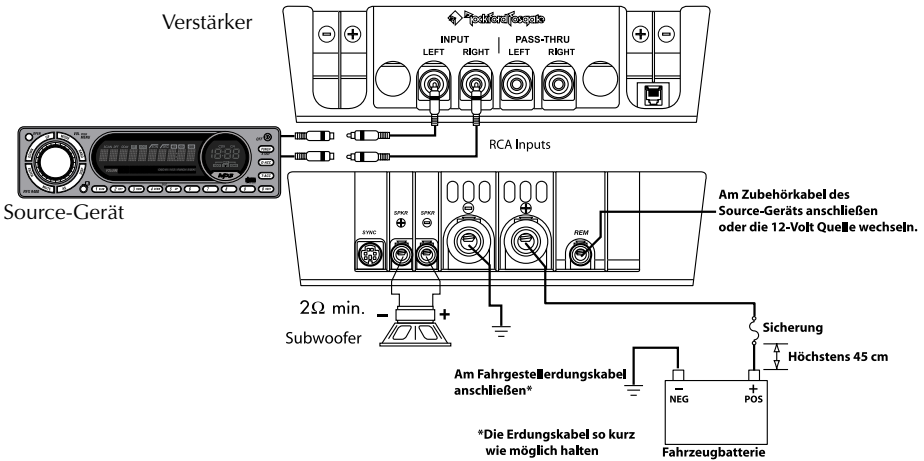
HINWEIS: Das B+ Kabel MUSS mit einer Sicherung versehen sein, die höchstens 45 cm von der Fahrzeugbatterie entfernt ist. Die Sicherungshalterung unter der Motorhaube befestigen und die Kabelenden wie oben beschrieben vorbereiten. Die Verbindungen müssen wasserdicht sein.

3. Das ROTE Kabel (Stromkabel) höchstens 45 cm von der Batterie trimmen und 13 mm der Isolation am Kabelende abziehen. Die Kabelschlinge, die an der Sicherungshalterung befestigt ist, in Hälften schneiden und die Sicherung unter Verwendung der entsprechenden Inline-Verbindungsstücke in das Stromkabel spleißen. Den Teil des zuvor getrimmten Kabels am anderen Ende der Sicherungshalterung anbringen.
4. Vom Batterieende des Stromkabels 13 mm Isolierung abziehen und einen großen, ringförmigen Stecker zur Befestigung am positiven Batteriepol an das Kabel crimpen. Die Sicherung noch nicht anbringen.
5. Das SCHWARZE Kabel (Erdungskabel) zur Befestigung am Verstärker durch Abziehen von 13 mm der Isolation am Kabelende vorbereiten. Das freigelegte Kabel in den GND-Pol einführen und die Befestigungsschraube anziehen. Den Untergrund am Fahrgestell durch Abkratzen der Farbe von der Metalloberfläche und sorgfältiges Reinigen des Bereichs von Schmutz und Schmiere vorbereiten. Die Isolation am anderen Ende des Kabels abziehen und einen ringförmigen Stecker anbringen. Das Kabel mittels einer nichteloxierten Schraube und einer Sternunterlegscheibe am Fahrgestell befestigen.

- Das Fernbedienungsanschlussskabel zur Befestigung am Verstärker durch Abziehen von 13 mm der Isolation am Kabelende vorbereiten. Das freigelegte Kabel in den Fernbedienungspol einführen und die Befestigungsschraube anziehen. Das andere Ende des Fernbedienungskabels an eine geschaltete positive 12-Volt Quelle anschließen. Die geschaltete Spannung wird normalerweise vom Autoantennen- oder Zubehörkabel des Source-Geräts geholt. Sollte das Source-Gerät derartige Ausgänge nicht haben, wird empfohlen, stattdessen einen mechanischen Schalter in das Kabel zu einer 12-Volt Quelle einzubauen, um den Verstärker zu aktivieren.
- Den Verstärker gut am Fahrzeug oder Verstärkergestell befestigen. Darauf achten, dass der Verstärker nicht an Papp- oder Plastikpanelen befestigt wird. Dies kann dazu führen, dass die Schrauben sich durch Straßenvibrationen oder plötzliches Anhalten aus den Panelen lösen.
- Das Source-Signal am Verstärker durch Einstöpseln der RCA- oder Hochpegelkabel in die Eingangsbuchsen des Verstärkers anschließen.
- Die Lautsprecher anschließen. Von den Enden der Lautsprecherkabel 13 mm Isolation abziehen, dann die Kabel in das Lautsprecheranschlusstück einführen und die Befestigungsschraube fest anziehen. Die Lautsprecherkabel NICHT über das Fahrgestell erden, da dies zu instabilem Betrieb führen kann.
- Eine abschließende Prüfung des gesamten Kabelsystems durchführen, um zu gewährleisten, dass alle Verbindungen akkurat sind. Alle Strom- und Erdungsverbindungen auf durchgeriebene Kabel und lose Verbindungen prüfen, die Probleme verursachen könnten.

HINWEIS: Beachten Sie die Diagramme zur ordnungsgemäßen Signalpolarität.

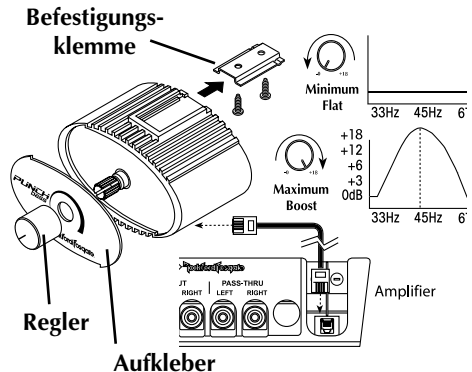
⚠ VORSICHT: Diese Verstärker werden nicht für Impedanzbelastungen unter 2 Ω empfohlen.



PUNCH BASS FERNBEDIENUNG

Mounting and installation

- Eine Stelle unter dem Armaturenbrett oder nahe der Mittelkonsole wählen, die leichten Zugriff auf die Fernbedienung erlaubt.
- Mithilfe der beiliegenden Schrauben die Befestigungsklemme mit den Spitzen nach hinten einbauen.
- Das Kabel für die Fernbedienung verlegen und sowohl an der Fernbedienung als auch am Tieftöner anschließen.
- Die Fernbedienung in die Befestigungsklemme schieben, bis sie einrastet.
- Aufkleber und Regler auf der Fernbedienung anbringen.



LAUTSTÄRKE (GAIN) EINSTELLEN

Zur Anpassung der Lautstärkereinstellung den Verstärker abdrehen. Die Lautstärke des Source-Geräts aufdrehen, bis eine Verzerrung hörbar wird, und sie dann etwas abdrehen, bis die Verzerrung nicht mehr hörbar ist. Dies erfordert bei den meisten Source-Geräten eine Zweidrittel-Einstellung. Als nächstes den Verstärker aufdrehen, bis eine Verzerrung erneut hörbar wird, und ihn dann abdrehen, bis die Verzerrung nicht mehr hörbar ist. Rockford Fosgate Source-Geräte verzerren nicht. Daher kann die Lautstärke bis zum Maximum aufgedreht werden.

HINWEIS: Kontaktieren Sie den technischen Kundendienst von Rockford für genauere Einstellungsverfahren.

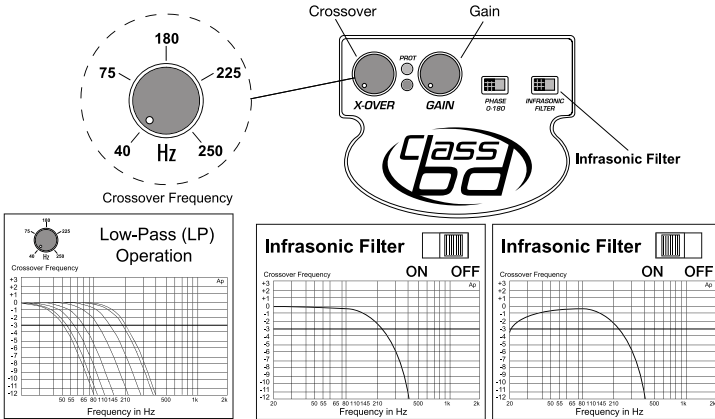
CROSSOVER-FREQUENZ EINSTELLEN

Die Crossover-Frequenz kann zwischen 40 und 250 Hz eingestellt werden. Das Crossover ist auf Betrieb nur im LP (Niedrigpass) eingestellt.

Den Crossover-Regler vollständig abdrehen. Während das System spielt, den Crossover-Regler langsam aufdrehen, bis der gewünschte Crossover-Punkt erreicht ist.

INFRASCHALLFILTER

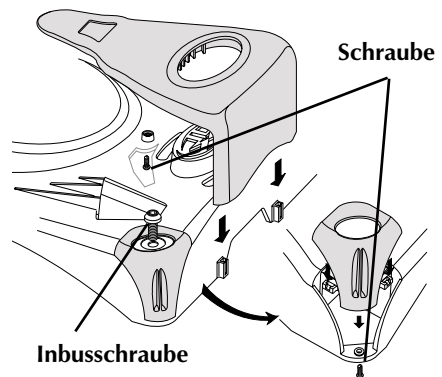
Durch Einschalten wird der Infraschallfilter aktiviert, der die Menge an Niederfrequenzinformationen, die an die Tieftöner übertragen werden, beschränkt. Nach Belieben einstellen, nachdem beide Betriebsarten ausprobiert wurden.

**FARBOPTIONEN**

Sie können Ihren Type-RF-Verstärker persönlicher gestalten, indem Sie die Farbe des Plastiks oben und an den Ecken wechseln. Erhältlich auf unserer Website oder bei Ihrem Händler vor Ort.

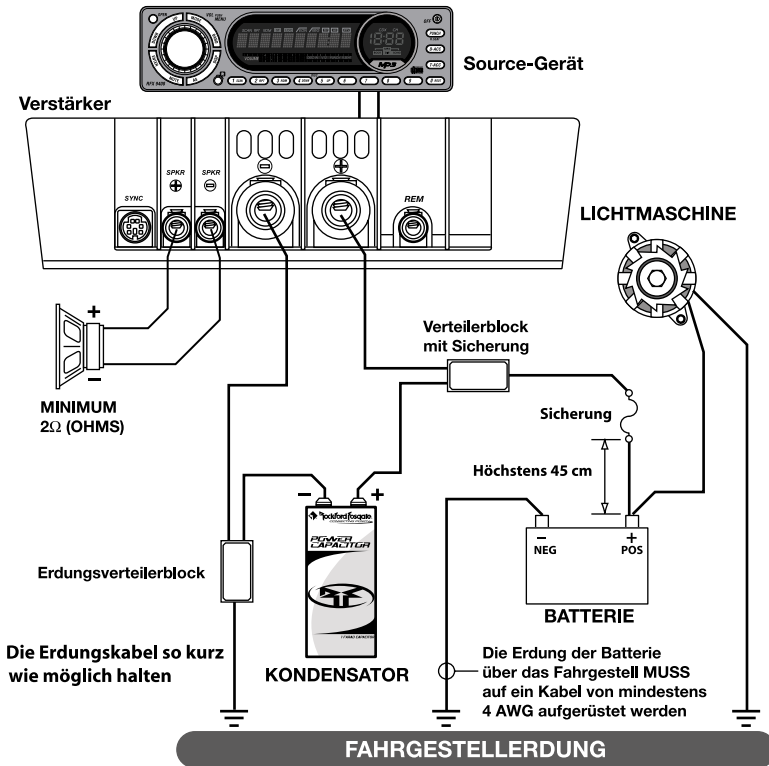
Die Ecken können durch Entfernen der Schraube am Boden ausgewechselt werden. Die alte Ecke abziehen und die neue anbringen. Die Schraube wieder befestigen.

Das obere Plastik erfordert Entfernen des Gehäuses vom Verstärker. Die vier (4) 3/16-Zoll Inbusschrauben von den Ecken entfernen. Die Schraube, die das obere Plastik hält, entfernen. Das alte Oberteil nach oben herausziehen. Das neue Oberteil anbringen und prüfen, ob es in die Kerben auf der Rückseite passt. Die Schraube wieder befestigen. Das Gehäuse wieder anbringen und die vier (4) Inbusschrauben wieder befestigen.



FÜR EINEN (1) VERSTÄRKER EMPFOHLENE KONFIGURATION

MODELL	X5	X6	X7
Betriebsspannungsbereich (DC Volt)	10-15,5	10-15,5	10-15,5
Mindestlautsprecherimpedanz	2 Ω	2 Ω	2 Ω
Typische Stromentnahme (Musik)	30 A	50 A	90 A
Typische Stromentnahme (Sinuskurven)	50 A	80 A	140 A
Empfohlene Lichtmaschinenstärke (auf der Straße benutztes Auto)	50 A	75 A	100 A
Empfohlene Lichtmaschinenstärke (Rennwagen)	100 A	150 A	200 A
Empfohlene Strom- und Erdungskabelstärke (AWG – amerikanische Drahtstärke)	8 AWG	4 AWG	4 AWG
Empfohlene Kondensatorenstärke	0,5 Farad	1 Farad	1,5 Farad

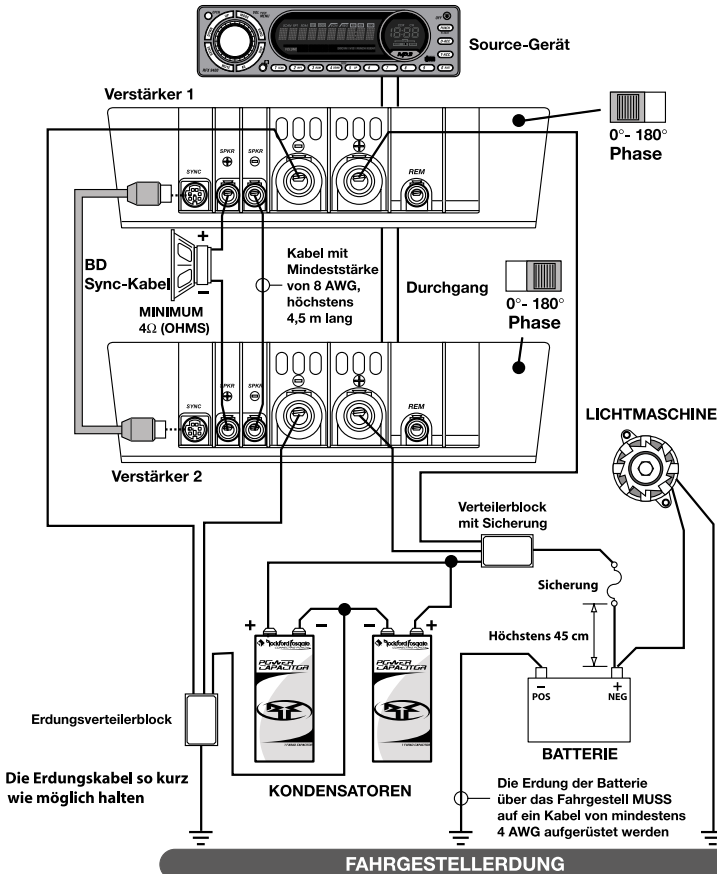


ANWENDUNGEN

FÜR ZWEI (2) VERSTÄRKER EMPFOHLENE KONFIGURATION

MODELL	(2) X5	(2) X6	(2) X7
Betriebsspannungsbereich (DC Volt)	10-15,5	10-15,5	10-15,5
Mindestlautsprecherimpedanz	4 Ω	4 Ω	4 Ω
Typische Stromentnahme (Musik)	60 A	100 A	180 A
Typische Stromentnahme (Sinuskurven)	100 A	160 A	280 A
Empfohlene Lichtmaschinenstärke (auf der Straße benutztes Auto)	75 A	100 A	200 A
Empfohlene Lichtmaschinenstärke (Rennwagen)	150 A	150 A	200 A
Empfohlene Strom- und Erdungskabelstärke (AWG – amerikanische Drahtstärke)	4 AWG	2 AWG	1/0 AWG
Empfohlene Kondensatorenstärke	1 Farad	2 Farad	4 Farad

Deutsch



HINWEIS: Falls Sie nach dem Einbau Probleme haben, befolgen Sie die nachfolgenden Verfahren zur Fehlerbeseitigung:

Verfahren 1: Den Verstärker auf ordnungsgemäße Anschlüsse überprüfen.

Prüfen, ob das POWER-Licht leuchtet. Wenn das POWER-Licht leuchtet, bei Schritt 2 weitermachen. Falls nicht, hier weiterlesen.

1. Die Inline-Sicherung am positiven Batteriekabel prüfen. Falls erforderlich, ersetzen.
2. Prüfen, ob die Erdung mit blankem Metall des Fahrgestells verbunden ist. Falls erforderlich, reparieren bzw. ersetzen.
3. Prüfen, ob am positiven Pol der Batterie und am Fernbedienungs-Anschaltkabel 10,5 - 15,5 Volt Strom vorhanden ist. Die Verbindungen beider Kabel am Verstärker, an der Stereoanlage und der Batterie- bzw. Sicherungshalterung auf ihre Qualität prüfen. Falls erforderlich, reparieren bzw. ersetzen.

Verfahren 2: Die Audioleistung des Verstärkers prüfen.

1. Prüfen, ob gute RCA- bzw. Hochleistungs-Eingangsverbindungen an der Stereoanlage und am Verstärker vorhanden sind. Die Kabel in ihrer gesamten Länge auf Knicke, Spleiße usw. prüfen. Die RCA- bzw. Hochleistungs-Eingänge bei angeschalteter Stereoanlage auf Wechselstrom prüfen. Falls erforderlich, reparieren bzw. ersetzen.
2. Den RCA- bzw. Hochleistungs-Eingang vom Verstärker entfernen und von der Test-Stereoanlage direkt mit dem Eingang des Verstärkers verbinden.

Verfahren 3: Prüfen, ob beim Anstellen des Verstärkers ein Knacken auftritt.

1. Das Eingangssignal zum Verstärker entfernen und den Verstärker ein- und ausschalten.
2. Falls das Geräusch eliminiert ist, das Fernbedienungskabel des Verstärkers mit einem Delay-Anschaltmodul am Source-Gerät anschließen.

ODER

1. Eine andere 12-Volt Quelle für das Fernbedienungskabel des Verstärkers verwenden (d.h. direkt von der Batterie).
2. Falls das Geräusch eliminiert ist, ein Relais zur Isolierung des Verstärkers von Schaltgeräuschen verwenden.

Verfahren 4: Den Verstärker auf übermäßige Motorengeräusche prüfen.

1. Alle signalübertragenden Kabel (RCA-, Lautsprecherkabel) von Strom- und Erdungskabeln entfernt verlegen.

ODER

2. Alle elektrischen Komponenten zwischen der Stereoanlage und dem/den Verstärker(n) umgehen. Die Stereoanlage direkt am Verstärkereingang anschließen. Falls das Geräusch eliminiert ist, ist das umgangene Gerät die Ursache des Geräusches.

ODER

3. Die vorhandenen Erdungskabel aller elektrischen Komponenten entfernen. Die Kabel an anderen Stellen wieder erden. Prüfen, ob die Erdungsstelle sauberes, glänzendes Metall ist, das frei von Farbe, Rost usw. ist.

ODER

4. Ein zweites Erdungskabel vom Negativpol der Batterie zum Fahrgestellmetall oder Motorblock des Fahrzeugs hinzufügen.

ODER

5. Die Drehstromlichtmaschine und Batterieladung von ihrem Mechaniker prüfen lassen. Die ordnungsgemäße Funktion des elektrischen Systems am Fahrzeug prüfen, und zwar einschließlich des Verteilers, der Zündkerzen, der Zündkerzenkabel, des Spannungsreglers usw.

ZUBEHÖR

PUNCH Kondensatoren anschließen

Die benötigte Stromzufuhr zum Power-Verstärker aufrechterhalten.

Auf unserer Website finden Sie weiteren Zubehör, der Ihnen bei der Optimierung Ihres Systems hilft.

www.rockfordfosgate.com

TECHNISCHE DATEN

MODELL- CLASS bd	X5	X6	X7
Kontinuierliche Nennleistung (Mittelwert) - Bei 12,6 Batterie-Volt gemessen			
4 Ω-Belastung mono	275 Watt x 1	425 Watt x 1	650 Watt x 1
2 Ω-Belastung mono	550 Watt x 1	850 Watt x 1	1300 Watt x 1
Maße:			
Höhe	8,07cm	8,07cm	8,07cm
Breite	29,46cm	29,46cm	29,46cm
Länge	38,33cm	44,68cm	51,03cm
Batteriesicherungswerte (Amp) (extern zum Verstärker)	50 A Liegt nicht bei	100 A Liegt nicht bei	150 A Liegt nicht bei
Sicherungstyp	AGU	AGU	AGU
Rauschabstand		>90 dB A-gewichtet	
Crossover-Steigung		24 dB/Oktav Butterworth	
Crossover-Frequenz		Von 40 Hz bis 250 Hz LP (Niedrigpass) variierbar	
Frequenzverhalten		20 Hz bis 220 Hz $\pm 0,5$ dB	
Bandbreite		20 Hz bis 220 Hz ± 3 dB	
Dämpfungsfaktor bei 4 Ω (am Ausgangsanschluss)		>100	
Zulässiger Signalspannungsbereich		Von 150 mV bis 5 V variierbar (RCA-Eingang)	
Schutz		Hochstromriegelschutz. Schaltungskomponententoleranzen werden als Schutz benutzt	
Entzerrung (45 Hz Punchbass)		Von 0 dB bis +18 dB bei 45 Hz variierbar	
Eingangsimpedanz		15 k Ohm	

Deutsch

Die technischen Daten können sich ohne Ankündigung ändern.

Rockford Corporation bietet für Rockford Fosgate Produkte eine beschränkte Garantie zu folgenden Bedingungen:

Laufzeit der Garantie

PUNCH-Verstärker – 2 Jahre

Alle anderen Verstärkermodelle – 3 Jahre

Source-Geräte – 1 Jahr

Lautsprecher – 1 Jahr

90 Tage auf aufgearbeitete Lautsprecher, Verstärker und Source-Geräte (Quittung erforderlich)

Was gedeckt ist

Diese Garantie erstreckt sich nur auf Rockford Fosgate Produkte, die von Rockford Fosgates Vertragshändlern an Verbraucher in den Vereinigten Staaten von Amerika oder deren Besitzungen verkauft wurden. Produkte, die von Rockford Fosgates Vertragshändlern an Verbraucher in einem anderen Land verkauft wurden, sind nur durch den Händler in dem betreffenden Land, nicht jedoch durch die Rockford Corporation gedeckt.

Wer ist gedeckt

Diese Garantie deckt nur den ursprünglichen Käufer von Rockford Produkten, die von einem Rockford Fosgate Vertragshändler in den Vereinigten Staaten gekauft wurden. Um Leistungen in Anspruch zu nehmen, muss der Käufer Rockford eine Kopie der Quittung vorlegen, die den Kundennamen, den Händlernamen, das Produkt und das Kaufdatum angibt.

Produkte, die sich während der Garantiezeit als defekt erweisen, werden nach Rockford Fosgates Ermessen repariert oder (mit einem Produkt, das als gleichwertig erachtet wird,) ersetzt.

Was nicht gedeckt ist

1. Schäden, die durch Unfall, Missbrauch, unsachgemäßen Betrieb, Wasser oder Diebstahl verursacht wurden
2. Jegliche Kosten, die im Zusammenhang mit Ein- bzw. Ausbau des Produkts entstanden sind
3. Leistungen, die nicht von Rockford oder einem autorisierten Rockford Fosgate Servicecenter erbracht wurden
4. Produkte, an denen die Seriennummer unkenntlich gemacht, verändert oder entfernt wurde
5. Folgeschäden an anderen Komponenten
6. Produkte, die außerhalb der USA gekauft wurden
7. Produkte, die nicht von einem Rockford Fosgate Vertragshändler gekauft wurden

Einschränkung von implizierten Garantien

Implizierte Garantien, einschließlich von Garantien der Eignung für einen bestimmten Zweck und Marktgängigkeit, werden auf den Zeitraum der obenstehenden ausdrücklichen Garantie beschränkt. Manche Staaten erlauben Einschränkungen der Gültigkeit der implizierten Garantie nicht. Daher trifft diese Einschränkung nicht in allen Fällen zu.

Inanspruchnahme des Kundendienstes

Bitte rufen Sie den Rockford Kundendienst unter 1-800-669-9899 an. Sie erhalten dann eine RA# (Rücksendungsautorisierungsnummer), um jegliche Produkte an Rockford Fosgate zurückzusenden. Sie sind für die Rücksendung des Produkts an Rockford verantwortlich.

EU-Garantie

Dieses Produkt entspricht den gültigen EU-Garantiebestimmungen. Sprechen Sie mit Ihrem Vertragshändler über die Einzelheiten.

Senden an: **Electronics**
Rockford Corporation
Warranty Repair Department
2055 E. 5th Street
Tempe, AZ 85281
RA#: _____

Senden an: **Speakers**
Rockford Acoustic Design
Speaker Returns
2356 Turner Ave. NW
Grand Rapids, MI 49544
RA#: _____

INTRODUZIONE

Egregio cliente,

Congratulazioni per aver acquistato la miglior marca di amplificatori per auto a livello mondiale. Alla Rockford Fosgate, siamo fanatici per quanto riguarda la miglior riproduzione musicale e siamo compiaciuti che abbiate scelto il nostro prodotto. Dopo anni di competenza ingegneristica, maestria manuale e procedure di prova critica, abbiamo creato una larga gamma di prodotti che riproducono la musica con la limpidezza e la pienezza che vi meritate.

Per ottenere le massime prestazioni vi consigliamo di far installare il vostro nuovo prodotto Rockford Fosgate da un rivenditore autorizzato, in quanto noi forniamo un addestramento specializzato ai nostri tecnici attraverso il Rockford Fosgate Technical Training Institute (RTTI). Vi preghiamo di leggere con cura i termini della garanzia e di serbare sia la ricevuta che l'imballaggio originale per qualsiasi evenienza futura.

Un prodotto superiore ed un'installazione competente rappresentano soltanto una parte del quadro generale quando si tratta del vostro sistema audio. Dovrete assicurarvi che il vostro installatore abbia utilizzato accessori da installazione della Connecting Punch, autentici al 100%. La Connecting Punch ha proprio tutto—da cavi e fili RCA per altoparlanti a connettori Power di linea e di batterie. Insistete! Dopo tutto, il vostro nuovo sistema audio si merita solo il meglio.

Per aggiungere poi il tocco finale alla vostra nuova immagine da Rockford Fosgate, dovreste ordinare gli accessori Rockford, che comprendono di tutto—dalle magliette e le giacche ai cappelli e gli occhiali da sole.

Per ottenere un opuscolo gratuito illustrante i prodotti della Rockford Fosgate nonché gli accessori, vi preghiamo di telefonare (dagli USA) al numero 480-967-3565 oppure di inviare una fax al numero 480-967-8132. Da tutti gli altri paesi, telefonare al numero +001-480-967-3565 oppure inviare una fax al numero +001-480-967-8132.

ITALIANO

OSSERVATE LE REGOLE DEL "SUONO SENZA PERICOLI"

La costante esposizione a livelli di pressione acustica al di sopra dei 100dB possono causare la perdita permanente dell'udito. I sistemi audio ad alta potenza possono produrre livelli di pressione acustica ben superiori ai 130dB. Si consiglia il buon senso e l'osservanza delle regole del "suono senza pericoli"

Se dopo aver letto il vostro manuale, aveste ancora delle domande al riguardo del vostro prodotto, vi preghiamo di consultare il vostro rivenditore Rockford Fosgate. Se necessitaste di qualsiasi assistenza ulteriore, potrete telefonarci direttamente al numero 1-800-669-9899. Vi chiederemo di fornire il vostro numero di serie, numero di modello, e la data d'acquisto.

Il numero di serie è ubicato sull'esterno della scatola. Vi preghiamo di annotarlo in modo permanente nello spazio fornito di sotto. Questo numero vi servirà da verifica nei confronti della vostra garanzia di fabbrica e potrebbe rivelarsi utile nel recupero della vostra unità di fonte se mai venisse rubata.

Numero di serie: _____

Numero di modello: _____

INDICE

Introduzione	2
Istruzioni di sicurezza	3
Caratteristiche del design	4
Installazione	4-7
Considerazioni sull'installazione	4
Posizionamento	5
Batteria e caricamento	6
Cablaggio del sistema	6
Toni bassi PUNCH a telecomando	7

Funzionamento	8
Regolazione del guadagno	8
Regolazione della frequenza di incrocio	8
Opzioni per il colore	8
Applicazioni	9-10
Individuazione/riparazione guasti	9
Accessori	9
Specifiche	10
Informazioni inerenti alla garanzia limitata	11

NOTA: Ripassare ciascuna sezione per ulteriori raggugli.

PRIMI PASSI

Benvenuti alla Rockford Fosgate! Questo manuale è stato concepito per fornire ragguagli al proprietario, al rivenditore e all'installatore. Per coloro che desiderano informazioni rapide circa l'installazione di questo prodotto, vi preghiamo di consultare la **sezione Installazione** di questo manuale. Altri ragguagli sono disponibili attraverso l'Indice. Alla Rockford Fosgate, abbiamo fatto di tutto per assicurarci che tutte le informazioni contenute in questo manuale fossero d'uso corrente. Pertanto, dato che siamo sempre alla ricerca di nuovi modi per migliorare i nostri prodotti, tali informazioni sono soggette a modifiche senza preavviso.


ISTRUZIONI DI SICUREZZA

AVVERTIMENTO


Questo simbolo con la dicitura "**AVVERTIMENTO**" intende avvertire l'utente alla presenza di istruzioni importanti. La mancata osservanza di queste istruzioni potrebbe causare gravi lesioni personali o persino la morte.

ATTENZIONE

Questo simbolo con la dicitura "**ATTENZIONE**" intende avvertire l'utente alla presenza di istruzioni importanti. La mancata osservanza di queste istruzioni potrebbe causare gravi lesioni personali o danni all'unità.

 **ATTENZIONE:** Per evitare lesioni personali e danni all'unità, vi preghiamo di leggere e seguire le istruzioni in questo manuale. Desideriamo che questo sistema audio vi procuri soddisfazione, non un mal di capo.

 **ATTENZIONE:** Se avete dei dubbi circa l'installazione, rivolgetevi ad un tecnico qualificato della Rockford Fosgate.

 **ATTENZIONE:** Prima dell'installazione, scollegate il terminale negativo (-) della batteria per evitare danni all'unità, pericoli d'incendio e/o potenziali lesioni personali.

CONTENUTO DELL'IMBALLAGGIO

Amplificatore monofonico, sia il modello X5, X6 oppure X7
Manuale di installazione e funzionamento
Kit per gli attrezzi da montaggio
Kit per toni bassi PUNCH a telecomando con cordone

1 chiave per viti Allen da 0,32 cm
1 chiave per viti Allen da 0,24 cm
1 chiave per viti Allen da 0,48 cm
Adesivo RF

Il kit dell'hardware incluso con ciascun amplificatore contiene tutti gli attrezzi di montaggio necessari per fissare l'amplificatore al veicolo e per collegare il coperchio al dissipatore di calore.

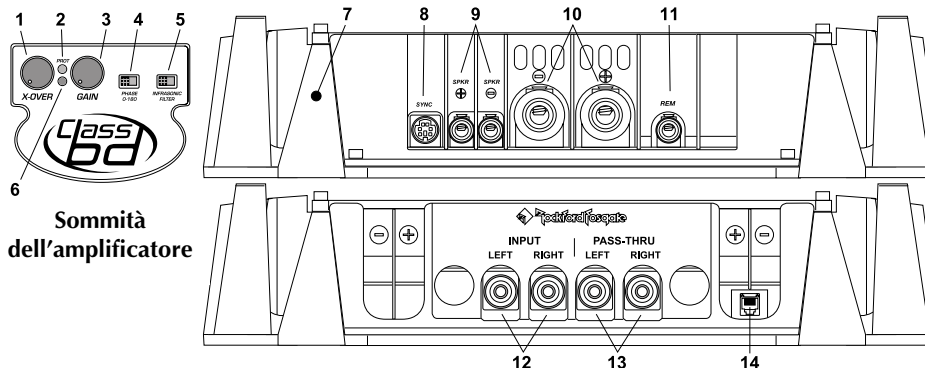
NOTA: Fate riferimento alla sezione inerente alle specifiche per le dimensioni dei fusibili raccomandate.

Vi preghiamo di visitare il nostro sito internet per le più recenti informazioni su tutti i prodotti Rockford.

www.rockfordfosgate.com

La parola d'ordine per poter entrare nella porzione Type RF è TYPERFUSA.

Collegamento alla tensione



Sommità dell'amplificatore

Italiano

- Frequenza di incrocio variabile** – Gli amplificatori hanno un filtro Butterworth incorporato da 24dB/ottava con un punto di incrocio variabile dai 40Hz ai 250Hz. La frequenza di incrocio è stata impostata su passa-basso (LP).
- Protezione LED** – Il LED (rosso) s'illumina quando l'unità viene messa sotto protezione. Per abilitare l'uscita PWM, bisogna rimuovere provvisoriamente il modo AP.
- Comando del guadagno** – Il comando del guadagno d'ingresso è stato prerogolato per essere conforme con l'uscita della maggiore parte delle unità di fonte. Può essere regolato in modo da conformarsi ai livelli di uscita provenienti da una varietà di unità di fonte.
- Fase** – Usato quando si devono collegare insieme, a 180° l'uno dall'altro, due amplificatori bd ad un amplificatore di fase uno.
- Filtro infrasonico** – Un filtro passa-alto progettato per impedire che le frequenze al di sotto della gamma acustica vengano applicate al sottoaltoparlante per toni bassi dall'amplificatore. Di conseguenza, sia le prestazioni che il rendimento di potenza del sottoaltoparlante per toni bassi tendono a subire un notevole miglioramento.
- Indicatore di potenza LED** – Il LED s'illumina quando l'unità viene accesa.
- Dissipatore di calore in alluminio fuso** – Il dissipatore di calore in alluminio fuso dell'amplificatore Power dissipa il calore generato dalla circuiteria dell'amplificatore. Il vantaggio innato dell'alluminio fuso è quello di poter fornire un miglioramento del 30% nel raffreddamento in confronto ai design più convenzionali dei dissipatori ad estrusione.
- Sincronizzatore** – Gli amplificatori hanno un miniconnettore DIN a 6 poli. Quando si mettono in funzione due amplificatori nel modo parallelo, si deve usare il cavo SYNC. Ciò permetterà la sincronizzazione dei due generatori indipendenti a frequenze portanti in ciascuna unità.
- Terminali degli altoparlanti** – I connettori dorati per morsetteria a servizio pesante (+ e -) accettano fili aventi dimensioni che variano da 8 AWG fino a 18 AWG. Questi connettori dorati sono immuni alla corrosione che può dar luogo al deterioramento del segnale.
- Terminali di potenza** – I connettori di potenza e della massa sull'amplificatore sono dorati e possono accogliere un filo fino a 4 AWG, massimizzando la portata della corrente d'ingresso dell'amplificatore.
- Terminale REM** – Questo capocorda a forcilla viene usato per accendere e spegnere l'amplificatore a distanza quando viene applicata una corrente continua da +12V.
- Spinotti d'ingresso RCA** – Gli spinotti RCA standard di fabbrica forniscono un collegamento facile per l'ingresso del livello di segnale. Sono dorati per resistere alla degradazione del segnale causata dalla corrosione.
- Spinotti passa-atravverso RCA** – Il passa-atravverso fornisce una fonte conveniente per concatenare a margherita un amplificatore supplementare senza far scorrere un altro paio di cavi RCA dalla parte anteriore del veicolo all'ubicazione posteriore dell'amplificatore.

CONSIDERAZIONI SULL'INSTALLAZIONE

Segue un elenco degli utensili necessari per eseguire l'installazione:

Voltmetro/ohmetro	Guaina termoretraibile avente un diametro di 0,32 cm
Pinze spelafili	Connettori vari
Pinze raggrinzafili	Lunghezza adeguata—Filo di tensione rosso
Pinze tagliafili	Lunghezza adeguata—Filo di accensione a telecomando
Cacciavite a croce no.2	Lunghezza adeguata—Filo di massa nero
Chiave per morsetto batteria	
Trapano e punte assortite	

Questa sezione si concentra su alcune considerazioni a livello di veicolo inerenti all'installazione del vostro nuovo amplificatore. Programmando a priori la configurazione del vostro sistema audio nonché i migliori cablaggi, risparmierete tempo durante l'installazione. Quando avrete deciso la miglior configurazione per il vostro nuovo sistema audio, assicuratevi di poter accedere facilmente a ciascuna componente per effettuare le regolazioni necessarie.

⚠ ATTENZIONE: Se avete dei dubbi circa l'installazione, rivolgetevi ad un tecnico qualificato.

⚠ ATTENZIONE: Prima dell'installazione, scollegate il terminale negativo (-) della batteria per evitare danni all'unità, pericoli d'incendio e/o potenziali lesioni personali.

Prima di iniziare qualsiasi operazione d'installazione, vi consigliamo di seguire queste semplici regole:

1. Assicuratevi di aver letto tutte le istruzioni con cura e di averle capite prima di effettuare qualsiasi tentativo d'installazione nei confronti dell'unità.
2. Per motivi di sicurezza, scollegate il cavo negativo dalla batteria prima di dare l'avvio all'installazione.
3. Per facilitare l'installazione, vi consigliamo di far scorrere tutti i cavi prima di montare la vostra unità di fonte nell'ubicazione desiderata.
4. Fate passare tutti i cavi RCA vicini l'uno all'altro ma lontano da fili ad alta tensione.
5. Usate connettori di alta qualità per garantire un'installazione che dà affidamento e per ridurre al minimo la perdita di segnali o di potenza.
6. State attenti prima di trapanare! Cercate di non trapanare e di non tagliare i serbatoi della benzina; le condutture del carburante, dei freni, del sistema idraulico e a depressione; nonché i fili elettrici quando state lavorando su qualsiasi veicolo.
7. Non fate mai scorrere i fili sotto il veicolo. Avrete la protezione migliore facendo scorrere i fili all'interno del veicolo.
8. Evitate di far scorrere i fili sopra o attraverso delle estremità affilate. Usate guarnizioni di tenuta in gomma o in plastica per proteggere qualsiasi filo che passi attraverso del metallo, soprattutto il parafiamma.
9. Proteggete SEMPRE sia la batteria che il sistema elettrico usando fusibili adatti. Installate sia un fusibile che un portafusibili adeguati sul filo a tensione da +12V entro 45,7 cm dal terminale della batteria.
10. Quando eseguite la messa a terra del telaio del veicolo, raschiate tutta la vernice dal metallo per assicurarvi un collegamento a terra pulito e saldo. I collegamenti a terra dovrebbero essere più corti possibile e sempre a contatto di metallo che sia saldato all'autotelaio del veicolo.

POSIZIONAMENTO

L'ubicazione di montaggio del vostro amplificatore avrà un notevole influsso sulle prestazioni sonore prodotte.

Scompartimento del motore

Non montate mai questa unità nello scompartimento del motore. Ciò annullerà la vostra garanzia.

INSTALLAZIONE

Montaggio nel bagagliaio

Se montate l'amplificatore in senso verticale, avrete il miglior raffreddamento dell'amplificatore.

Se montate l'amplificatore sul fondo del bagagliaio, esso funzionerà ma avrete una capacità di raffreddamento ridotta rispetto al montaggio in senso verticale.

Se montate l'amplificatore al rovescio, contro il ponte posteriore del bagagliaio, non otterrete il raffreddamento necessario e ciò comprometterà notevolmente le prestazioni dell'amplificatore. Pertanto, non è assolutamente raccomandabile.

Montaggio nello scampartimento passeggeri

Se montate l'amplificatore nell'abitacolo, esso funzionerà finché possiate fornire una quantità sufficiente di aria per permettere all'amplificatore di raffreddarsi. Se avete intenzione di montare l'amplificatore sotto il sedile del veicolo, dovete lasciare un vuoto d'aria di almeno 2,54 cm attorno al dissipatore di calore dell'amplificatore.

Se montate l'amplificatore nell'abitacolo, lasciando un vuoto d'aria meno di 2,54 cm attorno al suo dissipatore di calore, non otterrete il raffreddamento necessario e ciò comprometterà notevolmente le prestazioni dell'amplificatore. Pertanto, non è assolutamente raccomandabile.

BATTERIA E CARICAMENTO

Gli amplificatori rappresentano un ulteriore carico sulla batteria e sul sistema di caricamento del veicolo. Vi raccomandiamo pertanto di controllare la condizione del vostro alternatore e della vostra batteria per assicurarvi che il sistema elettrico sia in grado di far fronte all'ulteriore carico che inciderà sul vostro sistema stereofonico. I sistemi elettrici standard in buone condizioni dovrebbero poter far fronte al carico supplementare di qualsiasi amplificatore della Rockford Fosgate senza alcun problema, sebbene la vita della batteria nonché quella dell'alternatore potrebbero ridursi leggermente. Per sfruttare al massimo le prestazioni del vostro amplificatore, vi consigliamo di utilizzare una batteria robusta ed un condensatore ad accumulazione di energia.

CABLAGGIO DEL SISTEMA

ATTENZIONE: Se avete dei dubbi circa l'installazione, rivolgetevi ad un tecnico qualificato della Rockford Fosgate.

ATTENZIONE: Prima dell'installazione, scollegate il terminale negativo (-) della batteria per evitare danni all'unità, pericoli d'incendio e/o potenziali lesioni personali.

ATTENZIONE: Evitate di far scorrere i fili elettrici vicino ai cavi d'entrata a basso livello, alle antenne, ai cavi di tensione, ad attrezzature sensibili o a cablaggi preassemblati. I fili elettrici portano una tensione notevole e potrebbero indurre rumori dentro il sistema audio.

1. Programmate il cablaggio dei fili. Tenete i fili RCA insieme ma isolati dai cavi a tensione dell'amplificatore e da qualsiasi accessorio auto ad alta tensione, soprattutto i motori elettrici. Ciò è necessario per evitare che il rumore proveniente da campi elettrici irradiati possa accoppiarsi con il segnale audio. Quando fate scorrere i fili attraverso il paraframma o attraverso qualsiasi barriera metallica, protegeteli con delle guarnizioni di tenuta in gomma o in plastica per evitare i cortocircuiti. Lasciate i fili piuttosto lunghi a questo punto; più tardi potrete regolare la loro lunghezza in modo più preciso.
2. Preparate il filo ROSSO (cavo a tensione) per poterlo attaccare all'amplificatore, spelando via 1,27 cm di isolante dall'estremità del filo. Inserite il filo spelato dentro il terminale B+ e stringete la vite di arresto per fissare il cavo.

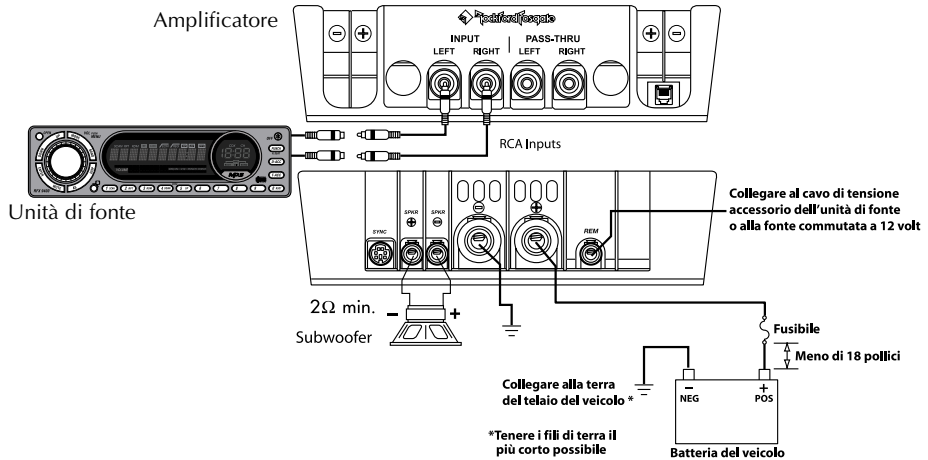
NOTA: Il cavo B+ DEVE essere munito di fusibile entro 45,72 cm o di meno dalla batteria del veicolo. Installare il portafusibili sotto il cofano e preparate le estremità dei cavi come di sopra. I collegamenti dovrebbero essere a tenuta d'acqua.

3. Ritagliate il filo ROSSO (cavo a tensione) entro 45,72 cm dalla batteria e spelate via 1,27 cm di isolante dall'estremità del filo. Tagliate a metà l'anello del filo che è attaccato al portafusibili e giuntate il fusibile con il cavo a tensione, usando serrafili in linea adeguati. Utilizzate la sezione di cavo ritagliata precedentemente e collegatela all'altra estremità del portafusibili.
4. Spelate via 1,27 cm dall'estremità batteria del cavo a tensione e raggrinzite un grosso terminale ad anello contro il cavo. Usate il terminale ad anello per effettuare un collegamento al terminale positivo della batteria. **NON installate ancora il fusibile.**
5. Preparate il filo NERO (cavo della messa a terra) per poterlo attaccare all'amplificatore, spelando via 1,27 cm di isolante dall'estremità del filo. Inserite il filo spelato dentro il terminale GND e stringete la vite di arresto per fissare il cavo. Preparate la messa a terra del telaio raschiando via la vernice dalla superficie metallica e pulitela accuratamente, rimuovendo ogni traccia di lubrificazione e di sudiciume. Spelate l'altra estremità del filo e attaccategli un serrafili ad anello. Fissate il cavo al telaio usando una vite non anodizzata e una rondella a stella.

- Preparate il filo REM ad innesco per poterlo collegare all'amplificatore, spelando via 1,27 cm di isolante dall'estremità del filo. Inserite il filo spelato dentro il terminale REM e stringete la vite di arresto per fissare il cavo. Collegate l'altra estremità del filo REM ad una fonte positiva commutata a 12 volt. La tensione commutata proviene generalmente dall'autoantenna o dal cavo accessorio dell'unità di fonte. Se quest'ultima non avesse tali uscite disponibili, la soluzione raccomandabile consiste nel cablare un commutatore meccanico in linea con una fonte da 12 volt per attivare l'amplificatore.
- Montate l'amplificatore saldamente al veicolo o all'apposita struttura di supporto. Assicuratevi di non montare l'amplificatore su pannelli di plastica o di cartone in quanto ciò potrebbe permettere alle viti di allentarsi e di fuoriuscire dal pannello durante le vibrazioni stradali o se il veicolo dovesse arrestarsi improvvisamente.
- Collegate il segnale di fonte all'amplificatore inserendo i cavi RCA/ingressi ad alto livello negli spinotti d'ingresso ubicati sull'amplificatore stesso.
- Collegate gli altoparlanti. Spelate i fili degli altoparlanti di 1,27 cm e inseriteli nel terminale degli altoparlanti, stringendo la vite di arresto per fissarli. Assicuratevi di mantenere la corretta polarità per gli altoparlanti. **NON** collegate a massa nessuno dei cavi dell'amplificatore in quanto ciò potrebbe dar luogo ad un funzionamento instabile.
- Eseguite un controllo finale dell'intero cablaggio del sistema per assicurarvi che tutti i collegamenti siano corretti. Controllate tutti i collegamenti di tensione e di massa per la presenza di fili sfrangiati o di collegamenti allentati che potrebbero dar luogo a problemi.

NOTA: Seguite i diagrammi per ottenere la corretta polarità di segnale.

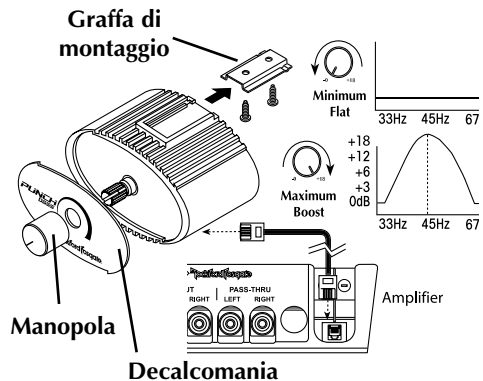
ATTENZIONE: Questi amplificatori non sono raccomandabili per carichi d'impedenza al di sotto di 2Ω.



TONI BASSI PUNCH A TELECOMANDO

Montaggio ed installazione

- Trovate un'ubicazione, sia sotto il cruscotto oppure vicino al mobile centrale, che permetta un'accesso facile al telecomando.
- Usando le viti fornite, installate la graffa di montaggio con le linguette rivolte all'indietro.
- Fate scorrere il cavo per il telecomando e collegatelo sia al telecomando che al sottoaltoparlante amplificato per toni bassi.
- Fate slittare il telecomando sulla graffa di montaggio fino a farlo scattare.
- Installate la decalcomania e la manopola sul telecomando.



REGOLAZIONE DI GUADAGNO

Per regolare la sintonizzazione del guadagno, abbassate completamente i guadagni dell'amplificatore. Alzate il volume dell'unità di fonte finché la distorsione non diventi udibile, e poi abbassatelo finché la distorsione non sia più udibile. Nella maggior parte delle unità di fonte, ciò avverrà a circa due terzi dell'alzata di volume. In seguito, girate di nuovo la sintonizzazione di guadagno dell'amplificatore finché non diventi udibile la distorsione e poi riabbassatelo fino a farla scomparire. Nelle unità di fonte della Rockford Fosgate, il suono non è soggetto a distorsione e pertanto, il volume potrà essere alzato fino al massimo.

NOTA: Per una procedura di regolazione più dettagliata, vi preghiamo di contattare l'assistenza tecnica della Rockford Fosgate.

REGOLAZIONE DELLA FREQUENZA DI INCROCIO

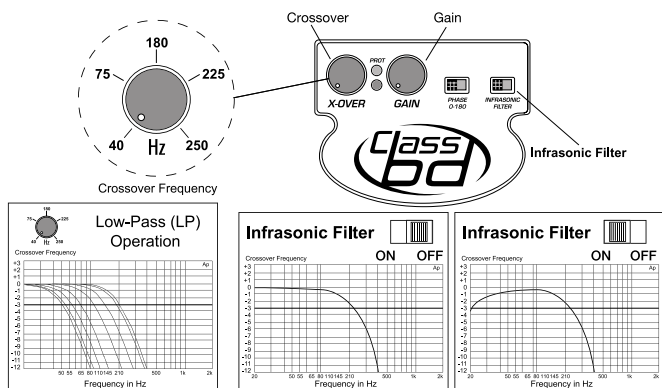
La frequenza di incrocio può essere regolata tra i 40 e i 250Hz. L'incrocio è stato regolato solamente per le operazioni di passa-basso (LP).

Fate ruotare la manopola di regolazione della frequenza di incrocio fino alla frequenza minima. Mentre il sistema audio è in funzione, fate ruotare la manopola lentamente in senso contrario, finché non si raggiunga il punto d'incrocio desiderato.

FILTRO INFRASONICO

Spostando l'interruttore su "ON" si potrà abilitare un filtro infrasonico in grado di limitare la quantità di informazioni a bassa frequenza diretta verso l'altoparlante per toni bassi. Regolatelo secondo le vostre preferenze personali mentre ascoltate il sistema, prima in un senso e poi nell'altro.

Italiano

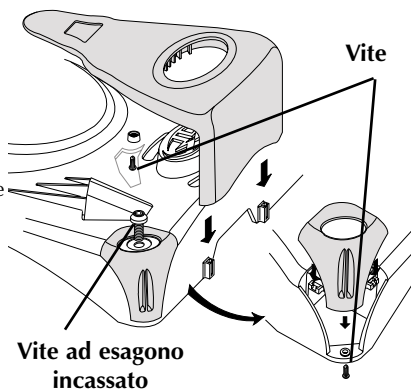


OPZIONI PER IL COLORE

Personalizzate il vostro amplificatore tipo RF, scegliendo colori diversi per la plastica alla sommità e negli angoli. Disponibile attraverso il nostro sito internet oppure tramite il vostro rivenditore locale.

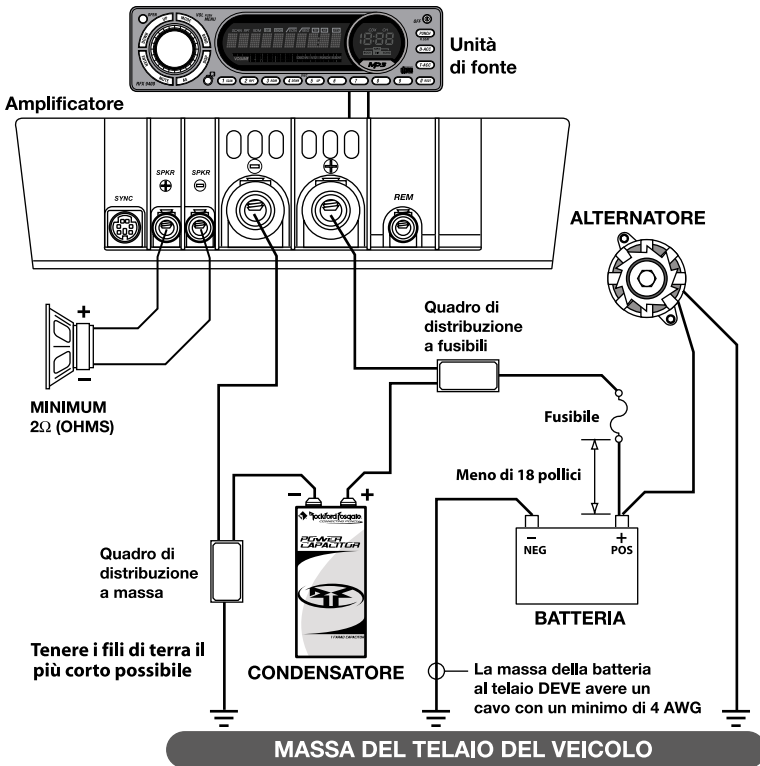
Per cambiare gli angoli, rimuovete la vite in fondo, alzate e tirate via l'angolo vecchio, installate quello nuovo, e reinstallate la vite.

Per cambiare la plastica ubicata alla sommità, dovrete rimuovere l'alloggiamento dell'amplificatore. Incominciate con la rimozione delle quattro viti ad esagono incassato da ciascun angolo. In seguito, rimuovete la vite che tiene la plastica contro la sommità. Alzate e tirate via la vecchia sommità, installate quella nuova—assicurandovi che venga incastrata saldamente dentro gli intagli ubicati sul retro—e reinstallate la vite. Per ultimo, reinstallate l'alloggiamento e le quattro (4) viti ad esagono incassato.



CONFIGURAZIONE RACCOMANDATA PER UN (1) AMPLIFICATORE

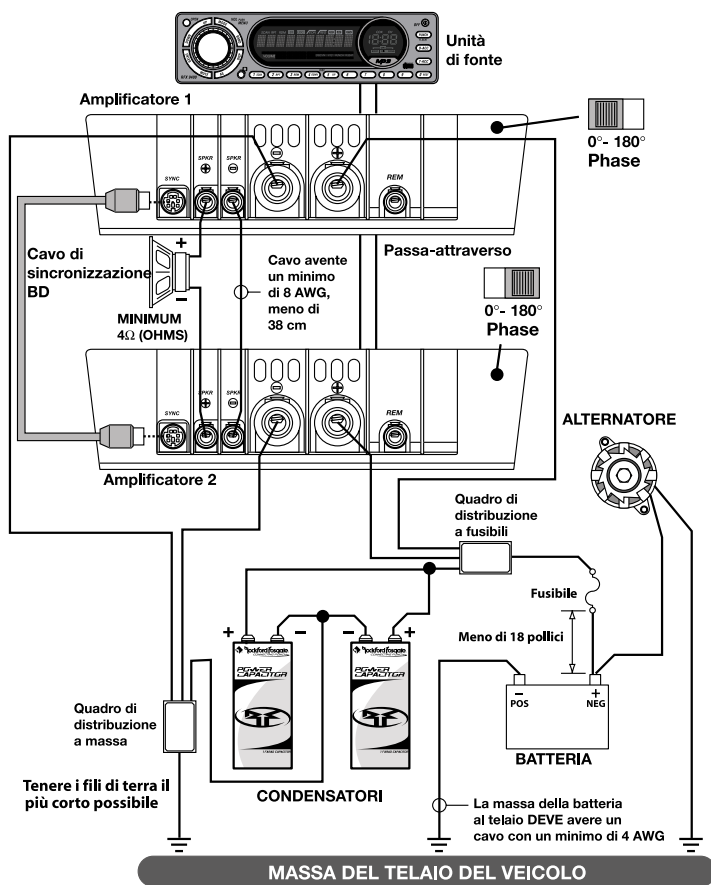
MODELLO	X5	X6	X7
Gamma della tensione di funzionamento	10 – 15,5	10 – 15,5	10 – 15,5
Impedenza minima dell'altoparlante	2Ω (ohm)	2Ω (ohm)	2Ω (ohm)
Tiraggio tipico della corrente (musica) (amp)	30A	50A	90A
Tiraggio tipico della corrente (onde sinusoidali) (amp)	50A	80A	140A
Dimensioni raccomandate per l'alternatore (automobile da strada) (amp)	50A	75A	100A
Dimensioni raccomandate per l'alternatore (automobile da competizione) (amp)	100A	150A	200A
Dimensioni raccomandate per i cavi di potenza e di massa (AWG – American Wire Gauge)	8 AWG	4 AWG	4 AWG
Dimensioni raccomandate per il condensatore	.5 farad	1 farad	1.5 farad



CONFIGURAZIONE RACCOMANDATA PER DUE (2) AMPLIFICATORI

MODELLO	(2) X5	(2) X6	(2) X7
Gamma della tensione di funzionamento	10 – 15,5	10 – 15,5	10 – 15,5
Impedenza minima dell'altoparlante	4Ω (ohm)	4Ω (ohm)	4Ω (ohm)
Tiraggio tipico della corrente (musica) (amp)	60A	100A	180A
Tiraggio tipico della corrente (onde sinusoidali) (amp)	100A	160A	280A
Dimensioni raccomandate per l'alternatore (automobile da strada) (amp)	75A	100A	200A
Dimensioni raccomandate per l'alternatore (automobile da competizione) (amp)	150A	150A	200A
Dimensioni raccomandate per i cavi di potenza e di massa (AWG – American Wire Gauge)	4 AWG	2 AWG	1/0 AWG
Dimensioni raccomandate per il condensatore	1 farad	2 farad	4 farad

Italiano



NOTA: Se incontraste dei problemi dopo l'installazione, seguite le procedure per la localizzazione e la riparazione dei guasti elencate di sotto.

Procedura 1: Controllate che l'amplificatore abbia i collegamenti adeguati.

Controllate che la spia dell'ACCENSIONE sia accesa. Se la spia di ACCENSIONE è accesa, passate al numero 2. Se non fosse accesa, continuate.

1. Controllate il fusibile in linea sul cavo positivo della batteria. Se del caso, effettuate sostituzioni.
2. Controllate che la messa a terra sia collegata al metallo pulito del telaio del veicolo. Se del caso, effettuate riparazioni o sostituzioni.
3. Controllate che ci siano dai 10,5 ai 15,5 volt di corrente al cavo positivo della batteria e dell'accensione a telecomando. Controllate che ci siano collegamenti di qualità per entrambi i cavi a livello dell'amplificatore, del sistema stereofonico e della batteria/portafusibili. Se del caso, effettuate riparazioni o sostituzioni.

Procedura 2: Controllate le uscite audio dell'amplificatore.

1. Controllate che sia il sistema stereofonico che l'amplificatore abbiano dei collegamenti d'entrata RCA ad alto livello. Controllate che lungo l'intera lunghezza dei cavi non ci siano attorcigliamenti, giunture, ecc. Mettete le entrate RCA ad alto livello alla prova per la corrente alternata con il sistema stereofonico acceso. Se del caso, effettuate riparazioni o sostituzioni.
2. Scolgate l'entrata RCA ad alto livello dall'amplificatore. Collegate l'entrata RCA ad alto livello dal sistema stereofonico di prova direttamente all'entrata dell'amplificatore.

Procedura 3: Controllate l'amplificatore se si verificasse uno schiocco al momento dell'accensione.

1. Scolgate il segnale d'entrata verso l'amplificatore; spegnete e riaccendete l'amplificatore.
2. Se il rumore venisse eliminato, collegate il cavo a tensione REM dell'amplificatore all'unità di fonte con un modulo di accensione ad azione ritardata.

OPPURE

1. Usate una fonte da 12 volt diversa per il cavo a tensione REM dell'amplificatore (in altri termini, direttamente dalla batteria).
2. Se il rumore venisse eliminato, usate un relé per isolare l'amplificatore da entrate ed uscite rumorose al momento dell'accensione.

Procedura 4: Controllate l'amplificatore se si verificasse un rumore eccessivo a livello del motore.

1. Fate scorrere tutti i fili che portano segnali (RCA, cavi degli altoparlanti) lontano dalla tensione e dai fili della messa a terra.

OPPURE

2. Bipassate tutte le componenti elettriche tra il sistema stereofonico e l'amplificatore(i). Collegate il sistema stereofonico direttamente all'entrata dell'amplificatore. Se il rumore sparisse, vuol dire che l'unità bipassata è la fonte del rumore.

OPPURE

3. Rimuovete i fili della messa a terra esistenti per tutte le componenti elettriche. Ricollegateli alla terra in ubicazioni diverse. Controllate che l'ubicazione della messa a terra sia una superficie metallica pulita, senza verniciature, ruggine, ecc.

OPPURE

4. Aggiungete un cavo secondario per la messa a terra dal terminale negativo della batteria al metallo del telaio o del monoblocco del veicolo.

OPPURE

5. Fate esaminare sia l'alternatore che la carica della batteria dal vostro meccanico. Controllate che il sistema elettrico del veicolo sia funzionante, compreso il distributore, le candele, i fili delle candele, il regolatore di tensione, ecc.

ACCESSORI

Condensatori della Connecting PUNCH

Mantenete la potenza che vi serve per il vostro amplificatore Power.

Visitate il nostro sito internet per altri accessori che vi aiuteranno a sfruttare il vostro sistema al massimo.

www.rockfordfosgate.com

SPECIFICHE

MODELLO - CLASS bd	X5	X6	X7
Potenza continua a regime (RMS) – Misurata a 12,6 volt da batteria			
Monofonia in un carico da 4Ω	275 Watt x 1	425 Watt x 1	650 Watt x 1
Monofonia in un carico da 2Ω	550 Watt x 1	850 Watt x 1	1300 Watt x 1
Dimensioni:			
Altezza	8,07cm	8,07cm	8,07cm
Larghezza	29,46cm	29,46cm	29,46cm
Lunghezza	38,33cm	44,68cm	51,03cm
Portate dei fusibili per batteria (amp) (all'esterno dell'amplificatore)	50A non fornite	100A non fornite	150A non fornite
Tipo del fusibile	AGU	AGU	AGU
Rapporto segnale disturbo		>90dB ponderati in A	
Pendenza d'incrocio		24dB/ottava Butterworth	
Frequenza d'incrocio		passa-basso (LP) variabile dai 40Hz ai 250Hz	
Risposta di frequenza		20Hz a 220Hz ± 0,5dB	
Ampiezza di banda		20Hz a 220Hz ± 3dB	
Fattore di smorzamento @ 4Ω (al connettore di uscita)		>100	
Gamma accettabile della tensione del segnale		variabile da 150mV a 5V (ingresso RCA)	
Protezione		Protezione a interdizione per alta corrente. Le tolleranze delle componenti dei circuiti vengono usate quale protezione.	
Equalizzazione (toni bassi Punch a 45Hz)		variabile da 0dB a +18dB @ 45Hz	
Impedenza d'ingresso		15k ohm	

La Rockford Corporation offre una garanzia limitata sui prodotti della Rockford Fosgate alle seguenti condizioni:

Lunghezza della garanzia

Amplificatori PUNCH – 2 anni

Tutti gli altri modelli degli amplificatori – 3 anni

Unità di fonte – 1 anno

Amplificatori – 1 anno

90 giorni sull'altoparlante, l'amplificatore e l'unità B-stock (è necessaria la ricevuta)

Ciò che è coperto dalla garanzia

Questa garanzia è solamente applicabile ai prodotti della Rockford Fosgate venduti a clienti da parte di rivenditori autorizzati della Rockford Fosgate negli USA o nei suoi possedimenti. Prodotti acquistati da clienti presso un rivenditore autorizzato della Rockford Fosgate in paesi esteri saranno coperti solamente dal distributore di quel paese e non dalla Rockford Corporation.

Chi è coperto dalla garanzia

Questa garanzia copre solamente l'acquirente originale di un prodotto della Rockford che sia stato acquistato presso un rivenditore autorizzato della Rockford Fosgate negli USA. Per richiedere l'assistenza, l'acquirente deve fornire alla Rockford una copia della sua ricevuta, indicante il nome dell'acquirente, il nome del rivenditore, il prodotto acquistato e la data di acquisto.

I prodotti che risulteranno difettosi durante il periodo della garanzia saranno riparati oppure sostituiti (con un prodotto giudicato equivalente) alla piena discrezione della Rockford.

Ciò che non è coperto dalla garanzia

1. Danni cagionati da incidenti, abuso, funzionamento improprio, acqua, furto
2. Qualsiasi costo o spesa relativa alla rimozione o alla reinstallazione del prodotto.
3. L'assistenza tecnica eseguita da chiunque non sia alle dipendenze della Rockford o di un centro di assistenza tecnica autorizzato della Rockford Fosgate
4. Qualsiasi prodotto su cui il numero di serie è stato deturpato, alterato o rimosso
5. Danni susseguenti ad altre componenti
6. Qualsiasi prodotto acquistato fuori dagli USA
7. Qualsiasi prodotto non acquistato presso un rivenditore autorizzato della Rockford Fosgate

Limite sulle garanzie tacite

Qualsiasi garanzia tacita, comprese le garanzie di idoneità all'uso ed alla commerciabilità, sono limitate nella loro durata al periodo coperto dalla garanzia esplicita spiegata di sopra. Alcuni stati non permettono limitazioni sulla lunghezza di una garanzia tacita. Pertanto, questa limitazione potrebbe non essere applicabile. È vietato assumere, a nome della Rockford Fosgate, qualsiasi altra responsabilità in relazione alla vendita del prodotto.

Come richiedere l'assistenza tecnica

Vi preghiamo di telefonare al numero 1-800-669-9899 per raggiungere il servizio assistenza clienti della Rockford Fosgate. Dovrete ottenere un numero RA (numero di autorizzazione per la restituzione) per restituire qualsiasi prodotto alla Rockford Fosgate. Sarete responsabili della spedizione del prodotto alla Rockford.

Garanzia UE

Questo prodotto risponde ai requisiti della garanzia UE tuttora in vigore. Vi preghiamo di rivolgervi al vostro rivenditore autorizzato per ulteriori dettagli.

Spedire a: **Electronics**
Rockford Corporation
Warranty Repair Department
2055 E. 5th Street
Tempe, AZ 85281
RA#: _____

Spedire a: **Speakers**
Rockford Acoustic Design
Speaker Returns
2356 Turner Ave. NW
Grand Rapids, MI 49544
RA#: _____

Italiano



Installation assistance available at:

RFTECH

www.rockfordfosgate.com/rftech



Rockford Fosgate

Rockford Corporation
546 South Rockford Drive
Tempe, Arizona 85281 U.S.A.
In U.S.A., (480) 967-3565
In Europe, Fax (49) 8503-934014
In Japan, Fax (81) 559-79-1265

www.rockfordfosgate.com