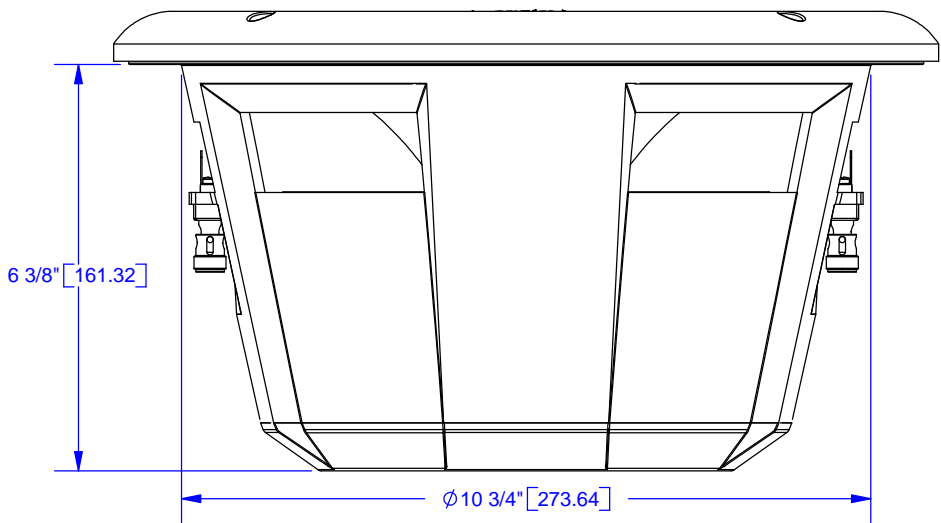


Ø 11 11/16" [297.18] MOUNTING HOLE DIAMETER



TECHNICAL SPECIFICATIONS

PRODUCT NAME	P312D2	P312D4
NOMINAL DIAMETER	12" [305]	12" [305]
MAGNET WEIGHT	102 oz (2892 g)	102 oz (2892 g)
FREQUENCY RANGE	27 Hz-250 Hz	29 Hz-250 Hz
VOICE COIL DIAMETER	2.50" [51]	2.50" [51]
VOICE COIL WINDING WIDTH	1.43" [36]	1.43" [36]
VOICE COIL FORMER MATERIAL	ALUMINUM	ALUMINUM
NOMINAL IMPEDANCE	(2) 2 Ohms	(2) 4 Ohms
DC RESISTANCE (Re)	3.4 Ohms	6.8 Ohms
VOICE COIL INDUCTANCE	3.3 mH	5.4 mH
RESONANCE FREQUENCY (Fs)	27 Hz	29 Hz
MECHANICAL Q FACTOR (Qms)	6.16	5.57
ELECTRICAL Q FACTOR (Qes)	0.52	0.57
TOTAL Q FACTOR (Qts)	0.48	0.52
COMPLIANCE (Cms)	1.52E-04 m/N	1.52E-04 m/N
EQUIVALENT AIR VOLUME (Vas)	1.551 FT^3 (43.9 LITERS)	1.551 FT^3 (43.9 LITERS)
MOVING MASS (Mms)	8.07 oz (228.7 g)	7.22 oz (204.6 g)
MECH. RESIST. LOSSES (Rms)	6.29 kg/s	6.54 kg/s
SENSITIVITY (SPL) W/M	87 dB	87 dB
FORCE FACTOR (BL)	15.9 T-m	20.9 T-m
EFFECTIVE CONE AREA (SD)	70 in^2 (0.045 m^2)	70 in^2 (0.045 m^2)
LINEAR EXCURSION (X-MAX)	0.47" [12]	0.47" [120]
OPERATING POWER (PE)	500 W RMS/1000 W PEAK	500 W RMS/1000 W PEAK
EFF. BANDWIDTH PROD. (EBP)	52	51
MOTOR CONSTANT (K _{rm})	55.09 mOhms	66.94 mOhms
MOTOR CONSTANT (E _{rm})	0.651	0.692
MOTOR CONSTANT (K _{xm})	112.64 mH	212.91 mH
MOTOR CONSTANT (E _{xm})	0.598	0.580
MOTOR IMPEDANCE (R _{em})	16.36 Ohms	28.51 Ohms

THIELE-SMALL MEASUREMENTS MADE WITH VOICE COILS IN SERIES.

SPECIFICATIONS MAY VARY PER MANUFACTURING TOLERANCES AND ARE SUBJECT TO IMPROVEMENT WITHOUT NOTICE.

DESCRIPTION: 12 INCH PUNCH STAGE 3 WOOFER		RELEASE & DATE: #1 (4-22-04)	
ENGINEER:	DATE: 4-22-04	SCALE: 1:3	CREATED IN SOLIDWORKS
DOC CON:	SHEET: 1 OF 1	UNITS: INCHES [MILLIMETERS]	ROCKFORD ACOUSTIC DESIGNS
			3056 WALKER RIDGE DRIVE SUITE G WALKER, MI 49544