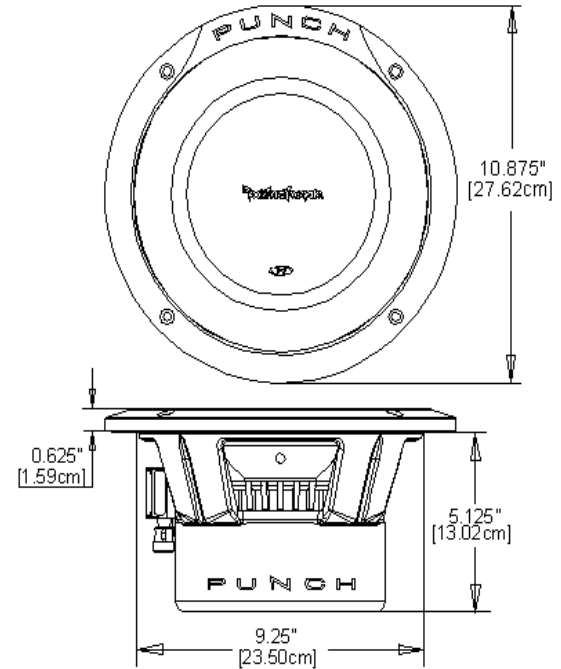


Model: P1S410

Type: DVC Subwoofer

Power Rating: 150 Watts

Impedance: (1) x 4 ohms



Features

- High modulus closed conical cone and ABS/Acrylic dustcap assembly.
- Mineral-filled polypropylene thermo-formed cone.
- Tear & fatigue resistant poly-cotton spider.
- High density compressed half-roll sealed poly-foam surround.
- High temp voice coil with spun-laced Nomex™ insulating reinforcement collar.
- Optimized motor magnetics with extended pole and bumped backplate.
- Fatigue resistant and reduced strain "stitched on" flexible lead wire design.
- Multi-point high-temp/high-strength neck joint bonding technique.
- Rigid compound bend 16 gauge cold-rolled stamped steel frame.
- Custom insulated/isolated compression input terminal assembly.
- Proprietary spider venting/cooling technique.
- Semi-flexible PVC removable protective motor cover.

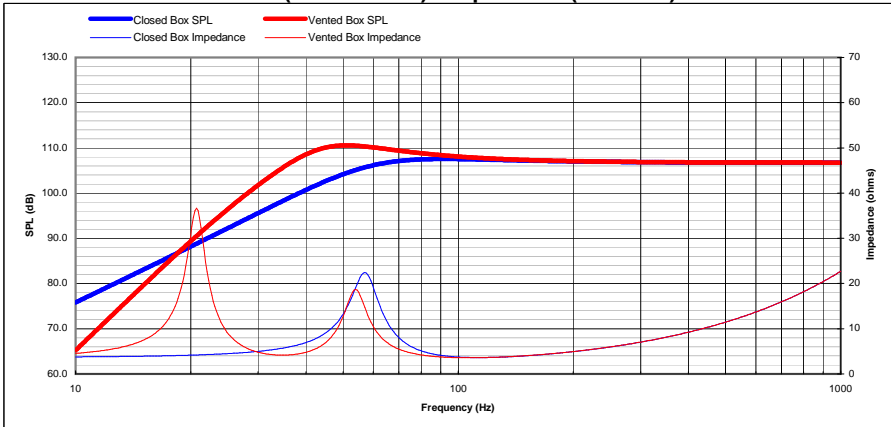
Recommended Applications

Enclosure	Volume (Vb)		Tuning(Fb)	System (Qt)	-3dB (F3) Hz	Port Dia.		Port Length	
	Liters	cu.ft.	Hz			in.	mm	in.	mm
Sealed:	16.7	0.59	48.3	0.88	48.4	-	-	-	-
Ported:	39.6	1.40	37.3	-	32.3	3.0	76.2	8.0	203.2

Thiele-Small Specifications

- Fs (Hz): 30.0
- Re (Ohms): 3.40
- Le (mH): 3.6
- Qts: 0.52
- Qes: 0.56
- Qms: 8.30
- Cms (m/N): 0.24
- Vas (L): 43.7
- Mms (g): 120.0
- Mmd (g): 116.1
- Rms (kg/s): 2.7
- Airload (g): 3.9
- No (%): 0.20
- SPL (dB - 1W/1M): 85.0
- BL (T*M): 11.7
- *Xmax₁₀ (mm): 9.0
- Sd (cm²): 360
- EBP: 54
- Krm (mOhms): 0.59
- Erm: 1.22
- Kxm (mH): 68.0
- Exm: 0.68
- Rem (Ohms): 25.39

SPL (at 150 Watts) / Impedance (at 1 Watt)



Technical Specifications

Voice Coil Diameter:	1.5	38.1	inches mm
Voice Coil Height:	0.984	25.0	inches mm
Voice Coil Layers:	6		layers
Magnetic Gap Height:	0.394	10.0	inches mm
Linear Excursion, pk-pk (Xmax):	0.295	7.5	inches mm
Maximum Excursion, pk-pk:	1.97	50.0	inches mm
Magnet Weight:	38	1.08	oz. kg
Woofer Displacement:	1.22	0.043	liters cubic ft.
Net Weight:	8.8	4.0	lbs. kg
Power Rating:	150	300	RMS Peak

* All parameters are derived using a laser velocity measurement method and verified with actual measured Mmd and Re. All dual voice coil models are wired in series. Xmax₁₀ represents actual effective excursion at <10% THD.