

— Installation assistance available at: —

# RFTTECH

— [www.rockfordfosgate.com/rftech](http://www.rockfordfosgate.com/rftech) —



**RGB LIGHT CONTROLLER**

**PMX-RGB**



# Introduction

Dear Customer,

Congratulations on your purchase of the world's finest brand of audio products. At Rockford Fosgate we are fanatics about musical reproduction at its best, and we are pleased you chose our product. Through years of engineering expertise, hand craftsmanship and critical testing procedures, we have created a wide range of products that reproduce music with all the clarity and richness you deserve.

For maximum performance we recommend you have your new Rockford Fosgate product installed by an Authorized Rockford Fosgate Dealer. Please read your warranty and retain your receipt and original carton for possible future use.

Great product and competent installations are only a piece of the puzzle when it comes to your system. Make sure that your installer is using 100% authentic installation accessories from Rockford Fosgate in your installation. Rockford Fosgate has everything from RCA cables and speaker wire to power wire and battery connectors. Insist on it! After all, your new system deserves nothing but the best.

To add the finishing touch to your new Rockford Fosgate image, order your Rockford accessories, which include everything from T-shirts to hats.

Visit our web site for the latest information on all Rockford products; [www.rockfordfosgate.com](http://www.rockfordfosgate.com) or, in the U.S. call 1-800-669-9899 or FAX 1-800-398-3985. For all other countries, call +001-480-967-3565 or FAX +001-480-966-3983.

## Table of Content

2	Introduction
3	Specifications
4	Diagrams
5	Wiring
6	Installation Considerations
	<i>Mounting</i>
7-19	Additional Languages
	<i>French</i>
	<i>Spanish</i>
	<i>German</i>
	<i>Italian</i>
20	Limited Warranty Information

If, after reading your manual, you still have questions regarding this product, we recommend that you see your Rockford Fosgate dealer. If you need further assistance, you can call us direct at 1-800-669-9899. Be sure to have your serial number, model number and date of purchase available when you call.

## Safety

This symbol with "WARNING" is intended to alert the user to the presence of important instructions. Failure to heed the instructions could result in severe injury or death.



### PRACTICE SAFE SOUND

Continuous exposure to sound pressure levels over 100dB may cause permanent hearing loss. High powered auto sound systems may produce sound pressure levels well over 130dB. Use common sense and practice safe sound.

### PRATIQUEZ UNE ÉCOUTE SANS RISQUES

Une exposition continue à des niveaux de pression acoustique supérieurs à 100 dB peut causer une perte d'acuité auditive permanente. Les systèmes audio de forte puissance pour auto peuvent produire des niveaux de pression acoustique bien au-delà de 130 dB. Faites preuve de bon sens et pratiquez une écoute sans risques

### PRACTIQUE EL SONIDO SEGURO

El contacto continuo con niveles de presión de sonido superiores a 100 dB puede causar la pérdida permanente de la audición. Los sistemas de sonido de alta potencia para automóviles pueden producir niveles de presión de sonido superiores a los 130 dB. Aplique el sentido común y practique el sonido seguro.

### PRAKTIZIEREN SIE SICHEREN SOUND

Fortgesetzte Geräuschdruckpegel von über 100 dB können beim Menschen zu permanentem Hörverlust führen. Leistungsstarke Autosoundsysteme können Geräuschdruckpegel erzeugen, die weit über 130 dB liegen. Bitte wenden Sie gesunden Menschenverstand an und praktizieren Sie sicheren Sound.

### OSSERVATE LE REGOLE DEL SUONO SENZA PERICOLI

La costante esposizione a livelli di pressione acustica al di sopra dei 100dB possono causare la perdita permanente dell'udito. I sistemi audio ad alta potenza possono produrre livelli di pressione acustica ben superiori ai 130dB. Si consiglia il buon senso e l'osservanza delle regole del suono senza pericoli

This symbol with "CAUTION" is intended to alert the user to the presence of important instructions. Failure to heed the instructions could result in injury or unit damage.



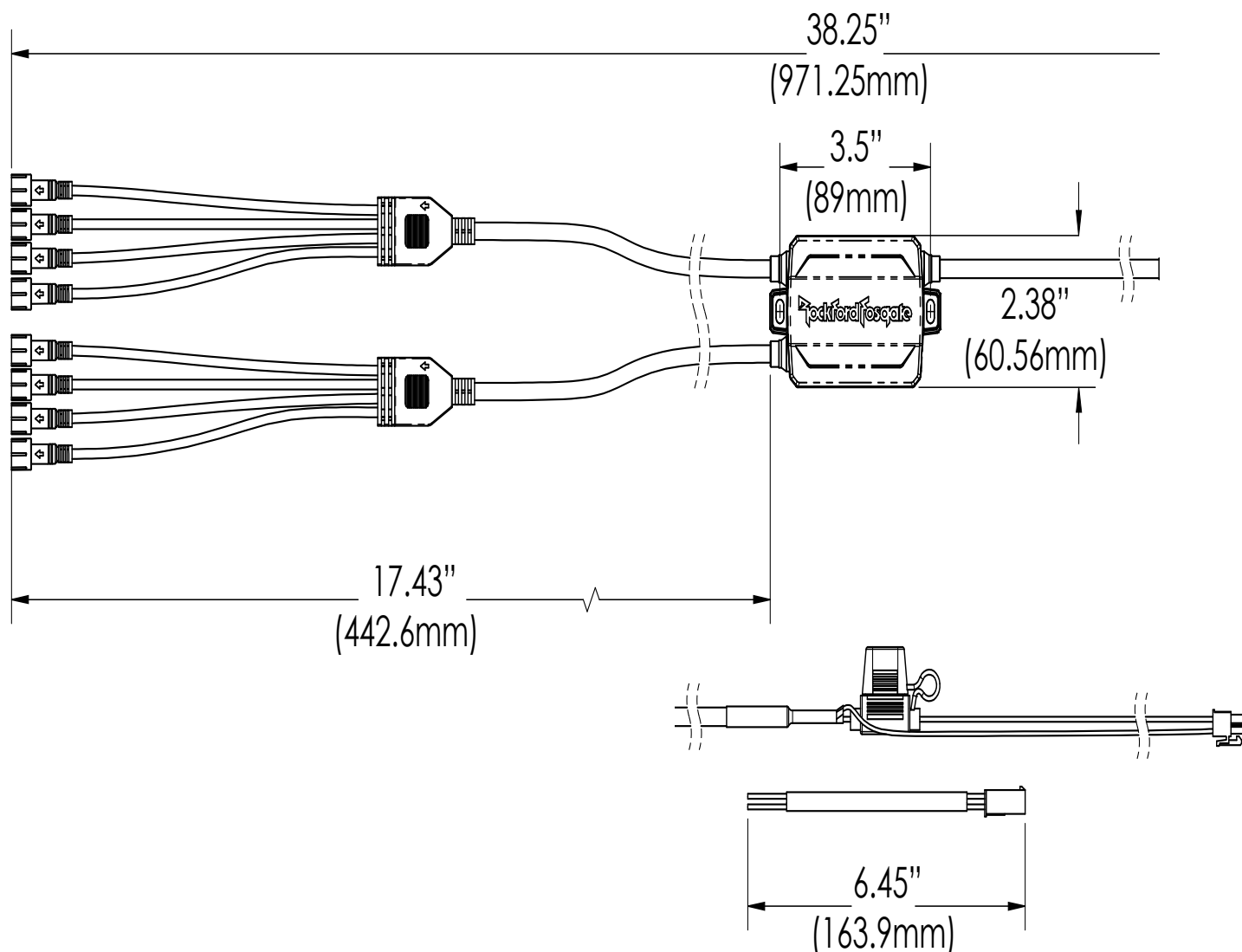
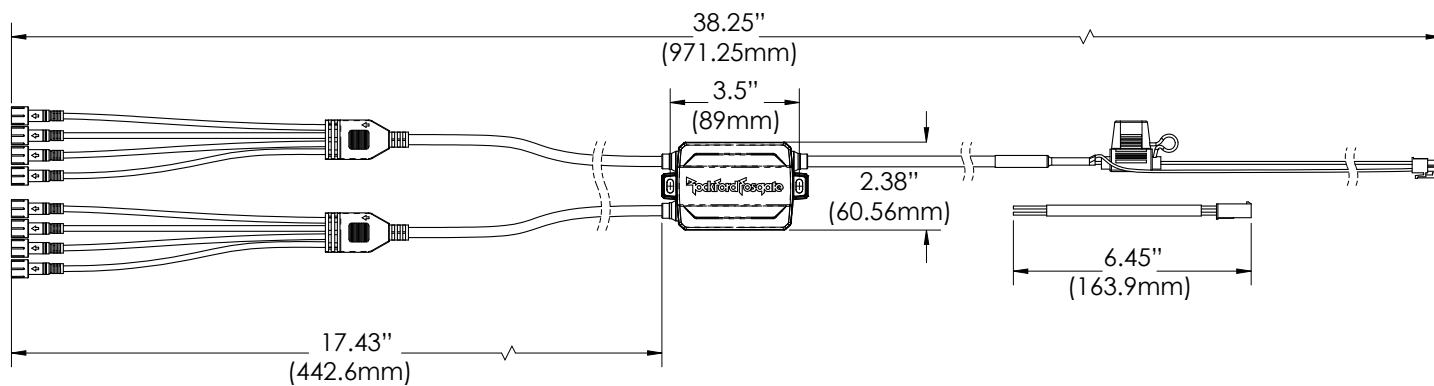
- To prevent injury and damage to the unit, please read and follow the instructions in this manual.
- If you feel unsure about installing this system yourself, have it installed by a qualified Rockford Fosgate technician.
- Before installation, disconnect the battery negative (-) terminal to prevent damage to the unit, fire and/or possible injury.

Contents

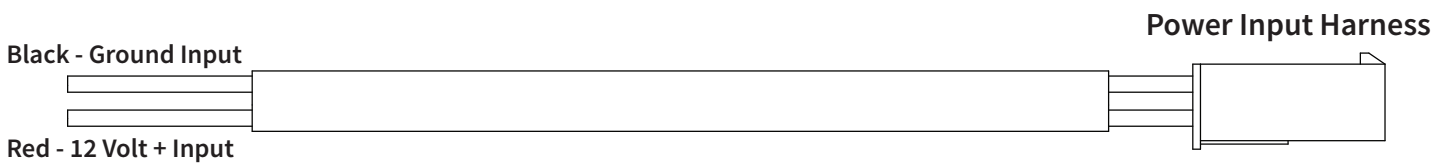
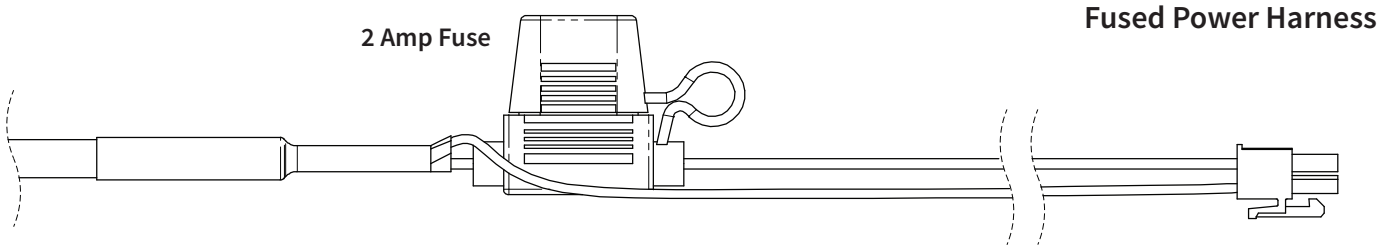
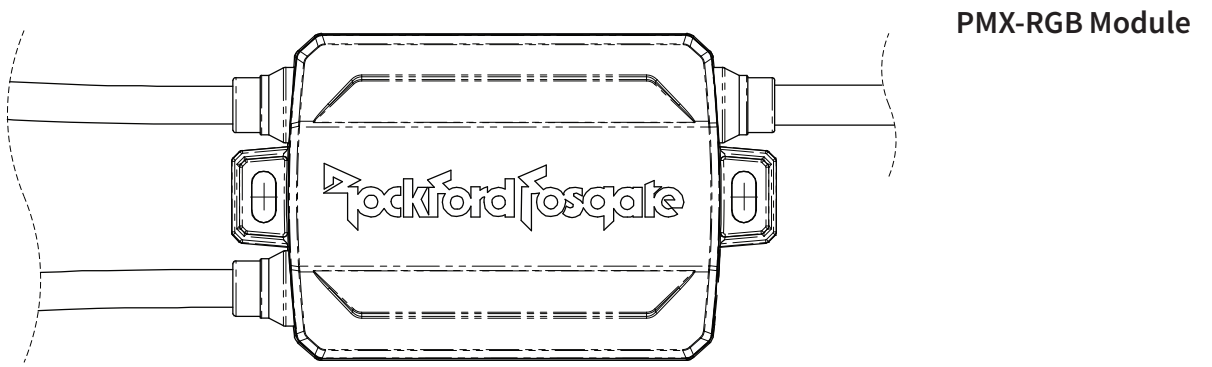
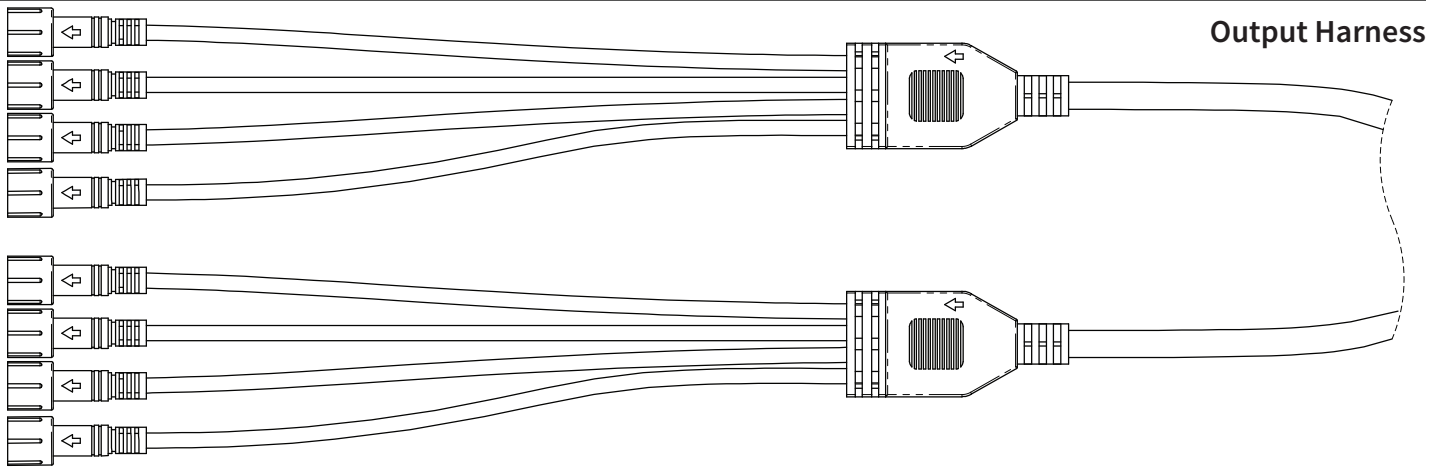
- (1) PMX- RGB Color Optix™ Controller
- (1) Power Connector
- (2) Bolts
- (2) Washers
- (2) Nuts

Specs

- Element Ready™ - IPX7
- Operating Voltage - 9-24VDC
- Current Draw - Up to 2 Amps



# Wiring



## Wiring

The (8) outputs can control a single speaker or multiple speakers with up to 2 Amps of current total across all outputs.

Rockford offers multiple cable extensions as well as a “Y” adaptor, you can find the part numbers and descriptions below.

RGB-6C - 6’(ft) Color Optix™ Extension Cable  
 RGB-16C - 16’(ft) Color Optix™ Extension Cable  
 RGB-25C - 25’(ft) Color Optix™ Extension Cable  
 RGB-YC - “Y” adaptor Color Optix™ Cable

For more information visit [www.rockfordfosgate.com](http://www.rockfordfosgate.com)

### Câblage

Les (8) sorties peuvent contrôler un ou plusieurs haut-parleurs avec un total de courant maximum de 2 Amps sur toutes les sorties.

Rockford propose plusieurs extensions de câble ainsi qu’un adaptateur «Y». Vous trouverez les références et les descriptions ci-dessous.

RGB-6C - Câble de rallonge couleur Optix™ de 6’(ft)  
 RGB-16C - Câble de rallonge couleur Optix™ de 16’(ft)  
 RGB-25C - Câble de rallonge couleur Optix™ de 25’(ft)  
 RGB-YC - Câble Color Optix™ avec adaptateur «Y»

Pour plus d’informations, visitez [www.rockfordfosgate.com](http://www.rockfordfosgate.com)

### Alambrado

Las (8) salidas pueden controlar un solo altavoz o varios altavoces con hasta 2 amperios de corriente total en todas las salidas.

Rockford ofrece múltiples extensiones de cable, así como un adaptador “Y”. Puede encontrar los números de pieza y las descripciones a continuación.

RGB-6C - Cable de extensión Color Optix™ de 6’(pies)  
 RGB-16C - Cable de extensión Color Optix™ de 16’(pies)  
 RGB-25C - Cable de extensión Color Optix™ de 25’(pies)  
 RGB-YC - Cable adaptador “Y” Color Optix™

Para más información visite [www.rockfordfosgate.com](http://www.rockfordfosgate.com)

### Verdrahtung

Die (8) Ausgänge können einen einzelnen Lautsprecher oder mehrere Lautsprecher mit insgesamt bis zu 2 Ampere an allen Ausgängen steuern.

Rockford bietet mehrere Kabelverlängerungen sowie einen “Y” -Adapter. Die Teilenummern und Beschreibungen finden Sie weiter unten.

RGB-6C - 6-Zoll-Color Optix™ -Verlängerungskabel  
 RGB-16C - 16-Zoll-Color Optix™ -Verlängerungskabel  
 RGB-25C - 25-Zoll-Color Optix™ -Verlängerungskabel  
 RGB-YC - “Y” -Adapter Color Optix™ -Kabel

Weitere Informationen erhalten Sie unter [www.rockfordfosgate.com](http://www.rockfordfosgate.com)

### Cablaggio

Le (8) uscite possono controllare un singolo altoparlante o più altoparlanti con un massimo di 2 Amp di corrente totale su tutte le uscite.

Rockford offre diverse estensioni di cavo e un adattatore a “Y”, puoi trovare i codici articolo e le descrizioni di seguito.

RGB-6C - Cavo prolunga Color Optix™ da 6’(ft)  
 RGB-16C - Cavo prolunga Color Optix™ da 16’(ft)  
 RGB-25C - Cavo di prolunga Color Optix™ da 25’(ft)  
 RGB-YC - Cavo adattatore “Y” Color Optix™

Per ulteriori informazioni, visitare [www.rockfordfosgate.com](http://www.rockfordfosgate.com)

### RF Connect

**Before opening app, be sure that the PMX-RGB is powered ON**

1. Download the Rockford Fosgate RF Connect app



2. Open the RF Connect app
3. Press the “+” in the upper right hand corner
4. Choose “PMX-RGB Controller, the device will search for any active PMX-RGB controllers
5. Select the PMX-RGB

Note: Once you have your device loaded into your app you can rename it within your app by clicking the “pencil” icon in the upper right hand corner. Once this is changed your app will always recognize it as such until you delete the device from your app.

### Deleting devices from the app.

1. Press and hold the icon for the device until a pop up window appears. Choose to delete or cancel.

### RF Connect

**Avant d'ouvrir l'application, assurez-vous que le PMX-RGB est allumé**

1. Téléchargez l'application Rockford Fosgate RF Connect



2. Ouvrez l'application RF Connect
3. Appuyez sur le «+» dans le coin supérieur droit
4. Choisissez “Contrôleur PMX-RGB, l'appareil recherchera tous les contrôleurs PMX-RGB actifs.
5. Sélectionnez le PMX-RGB.

Remarque: une fois que votre appareil est chargé dans votre application, vous pouvez le renommer au sein de votre application en cliquant sur l'icône «crayon» dans le coin supérieur droit. Une fois que cela aura été modifié, votre application la reconnaîtra toujours comme telle jusqu'à ce que vous supprimiez l'appareil de votre application.

### Suppression de périphériques de l'application.

1. Appuyez sur l'icône du périphérique jusqu'à ce qu'une fenêtre contextuelle apparaisse. Choisissez de supprimer ou d'annuler.

### RF Connect

**Antes de abrir la aplicación, asegúrese de que el PMX-RGB esté encendido**



1. Descargue la aplicación Rockford Fosgate RF Connect
2. Abre la aplicación RF Connect
3. Presione el “+” en la esquina superior derecha
4. Elija “Controlador PMX-RGB, el dispositivo buscará cualquier controlador PMX-RGB activo
5. Seleccione el PMX-RGB.

Nota: Una vez que haya cargado su dispositivo en su aplicación, puede cambiarle el nombre dentro de su aplicación haciendo clic en el icono “lápiz” en la esquina superior derecha. Una vez que esto haya cambiado, su aplicación siempre lo reconocerá como tal hasta que elimine el dispositivo de su aplicación.

### Eliminar dispositivos de la aplicación.

1. Mantenga presionado el icono del dispositivo hasta que aparezca una ventana emergente. Elija eliminar o cancelar.

**RF Connect**

**Vergewissern Sie sich vor dem Öffnen der App, dass der PMX-  
RGB eingeschaltet ist**

1. Laden Sie die Rockford Fosgate RF Connect-App herunter
2. Öffnen Sie die RF Connect App



3. Drücken Sie das „+“ in der oberen rechten Ecke
4. Wählen Sie „PMX-RGB-Controller“. Das Gerät sucht nach aktiven PMX-RGB-Controllern
5. Wählen Sie den PMX-RGB.

Hinweis: Sobald Sie Ihr Gerät in Ihre App geladen haben, können Sie es in Ihrer App umbenennen, indem Sie auf das Stiftsymbol in der oberen rechten Ecke klicken. Sobald dies geändert wurde, erkennt Ihre App es immer als solches, bis Sie das Gerät aus Ihrer App löschen.

**Geräte aus der App löschen.**

1. Halten Sie das Symbol für das Gerät gedrückt, bis ein Pop-up-Fenster angezeigt wird. Wählen Sie zum Löschen oder Abbrechen.

**RF Connect**

**Prima di aprire l'app, assicurarsi che PMX-RGB sia acceso**

1. Scarica l'app Rockford Fosgate RF Connect



Apri  
l'app

RF Connect

3. Premere il “+” nell’angolo in alto a destra
4. Scegli “Controller PMX-RGB, il dispositivo cercherà eventuali controller PMX-RGB attivi
5. Selezionare il PMX-RGB.

Nota: una volta caricato il dispositivo nella tua app, puoi rinominarlo all’interno della tua app facendo clic sull’icona “matita” nell’angolo in alto a destra. Una volta modificata, la tua app lo riconoscerà sempre come tale fino a quando non eliminerai il dispositivo dalla tua app.

**Eliminazione di dispositivi dall’app.**

1. Tieni premuta l’icona del dispositivo fino a quando non viene visualizzata una finestra a comparsa. Scegli di cancellare o cancellare.

---

Rockford Corporation offers a limited warranty on Rockford Fosgate products on the following terms:

### **Length of Warranty**

POWER Amplifiers – 2 Years

BMW® Direct Fit Speakers – 2 Years

PUNCH® & PRIME® Amplifiers – 1 Year

Speakers, Signal Processors, Accessories and Capacitors – 1 Year

All marine, motorcycle, motorsport products - 2 Years

Any Factory Refurbished Product – 90 Days (receipt required)

### **What is Covered**

*This warranty applies only to Rockford Fosgate products sold to consumers by authorized Rockford Fosgate dealers in the United States of America. Products purchased by consumers from an Authorized Rockford Fosgate Dealer in another country are covered only by that country's Distributor and not by Rockford Corporation.*

### **Who is Covered**

*This warranty covers only the original purchaser of Rockford product purchased from an authorized Rockford Fosgate dealer in the United States. In order to receive service, the purchaser must provide Rockford with a copy of the receipt stating the customer name, dealer name, product purchased and date of purchase.*

*Products found to be defective during the warranty period will be repaired or replaced (with a product deemed to be equivalent) at Rockford's discretion.*

### **What is Not Covered**

- 1. Damage caused by accident, abuse, improper installation, operations, theft, water (on non-Element Ready products).*
- 2. Any cost or expense related to the removal or reinstallation of product.*
- 3. Service performed by anyone other than Rockford or an authorized Rockford Fosgate service center.*
- 4. Any product which has had the serial number defaced, altered, or removed.*
- 5. Subsequent damage to other components.*
- 6. Any product purchased outside the U.S.*
- 7. Any product not purchased from an authorized Rockford Fosgate dealer. Refer to [rockfordfosgate.com](http://rockfordfosgate.com) dealer locator for more detail.*

### **Limit on Implied Warranties**

*Any implied warranties including warranties of fitness for use and merchantability are limited in duration to the period of the express warranty set forth above. Some states do not allow limitations on the length of an implied warranty, so this limitation may not apply. No person is authorized to assume for Rockford Fosgate any other liability in connection with the sale of the product.*

### **How to Obtain Service**

*Please call 1-800-669-9899 for Rockford Customer Service. You must obtain an RA# (Return Authorization number) to return any product to Rockford Fosgate. You are responsible for shipment of product to Rockford.*

### **EU Warranty**

*This product meets the current EU warranty requirements, see your Authorized dealer for details.*